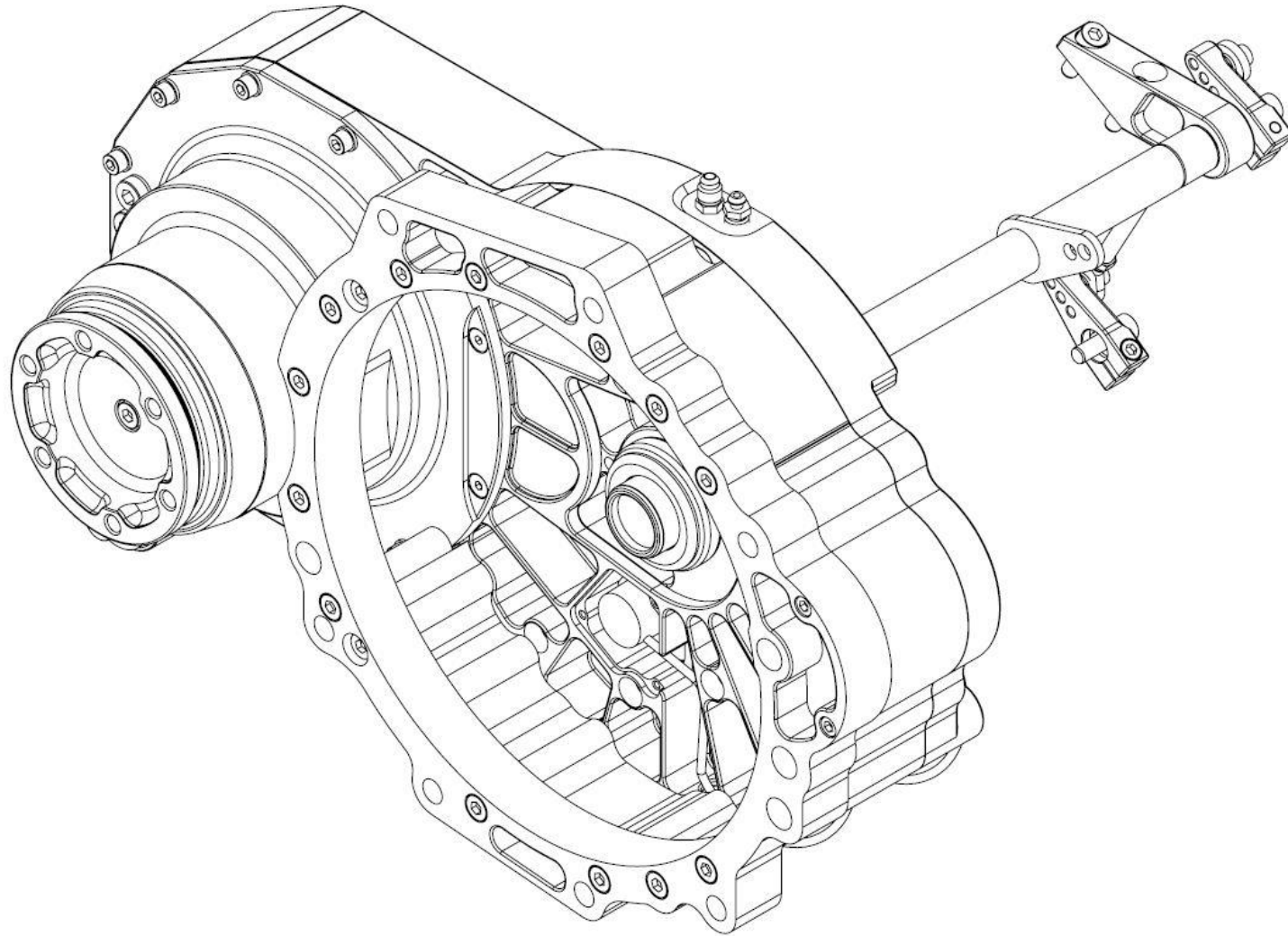


SD GOLF HOUSING ASSEMBLY





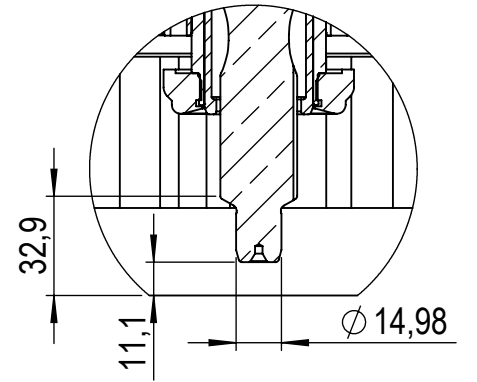
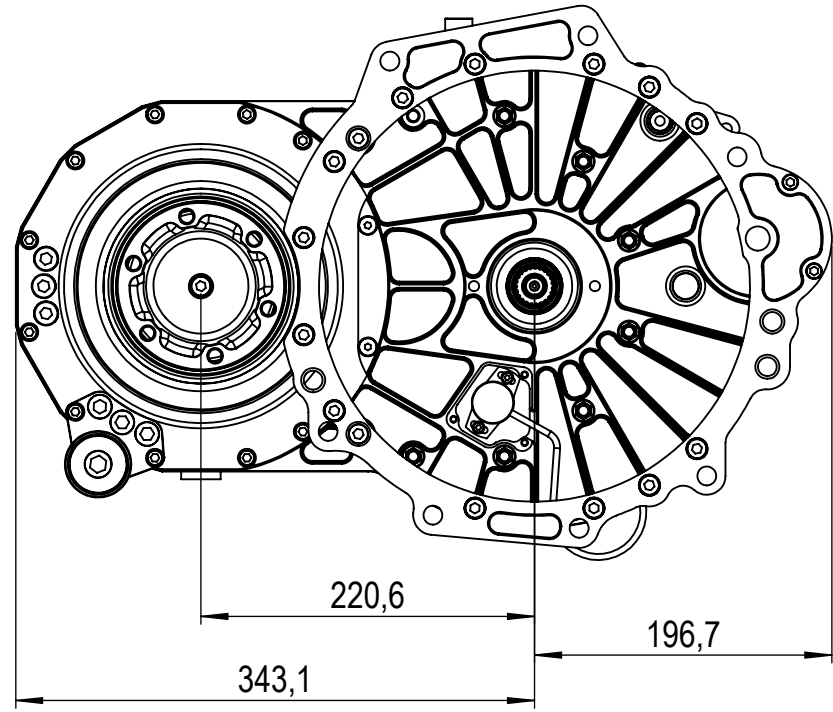
SD Golf housing

TABLE OF CONTENTS

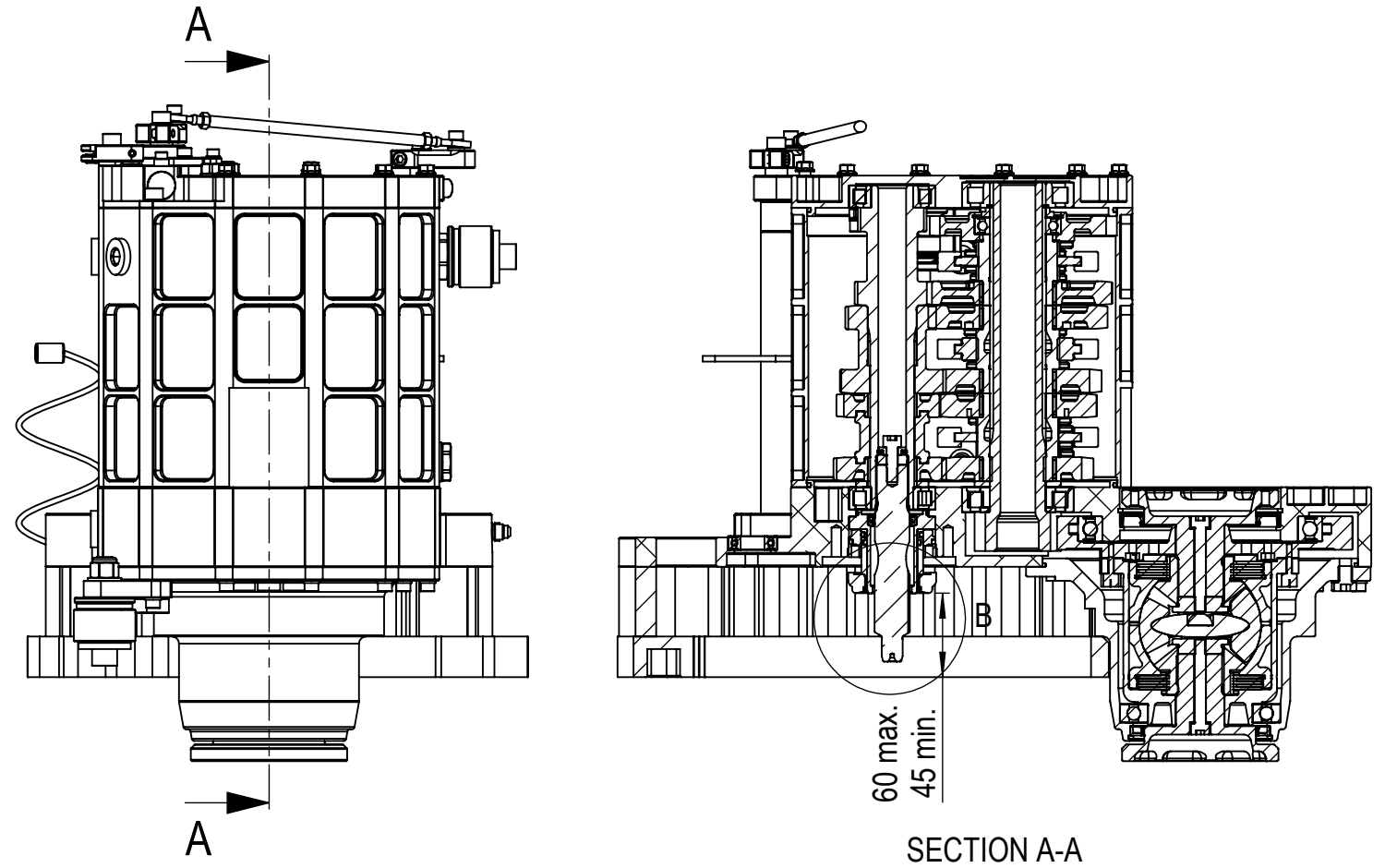
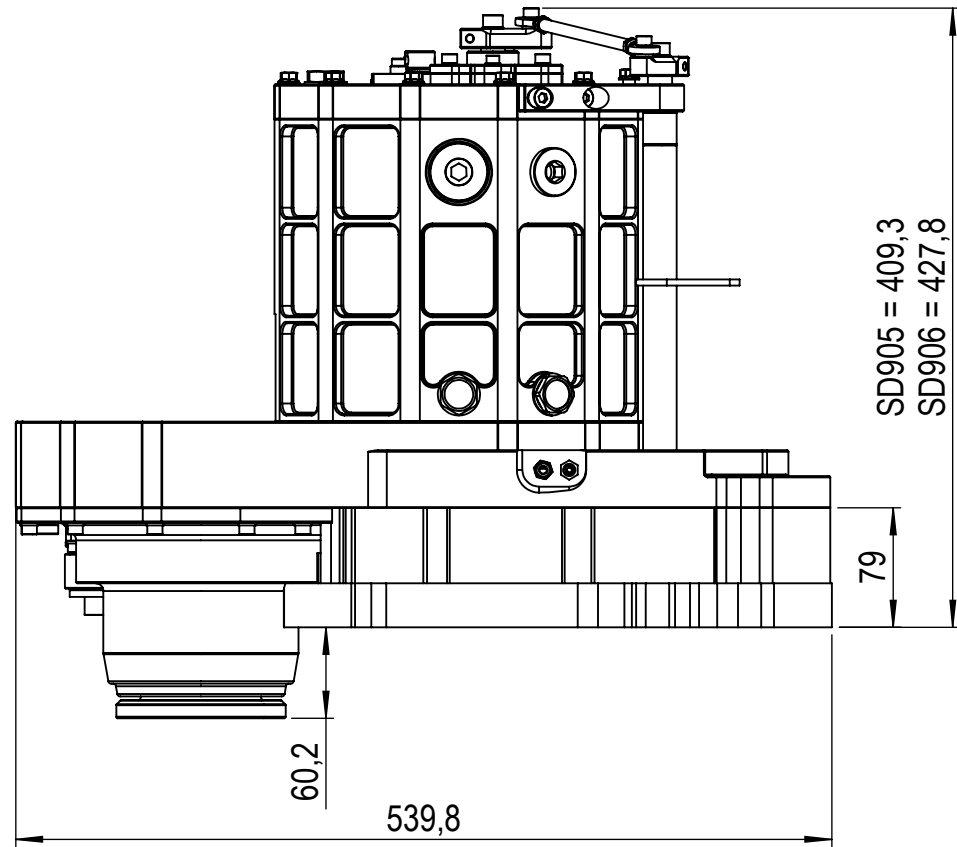
1. SD Golf measurements (Drawing no. A5600054)
2. SD Golf housing assembly (Drawing no. A5600052)
3. Main housing SD Golf assembly (Drawing no. A5600044)
4. Golf Spacers assembly (Drawing no. A5600053)
5. Diff housing Golf assembly (Drawing no. A5700019)
6. SD Mount assembly (Drawing no. A2600002)
7. Differential SD90 (Drawing no. A5700020)
8. Lsd package (Drawing no. A5700021)
9. Driveshaft SD assembly (Drawing no. A3900001)
10. Slave cylinder assembly SD (Drawing no. A2600001)
11. SD 905 linkage (Drawing no. A5900019)
12. SD 906 linkage (Drawing no. A5900021)

Rev.	Note	Date	Rev. By	Appr. By

Model: A5600054 Rev: **Draft**



DETAIL B
SCALE 2 : 5



SECTION A-A

This drawing is the property of Tractive AB. Its submission does not include or carry the right to make, use or sell what is illustrated without the written consent of Tractive AB.

Tractive AB
Gjutargatan 54 S-781 70 Borlänge
Tel +46 243 22 11 55 www.tractive.se

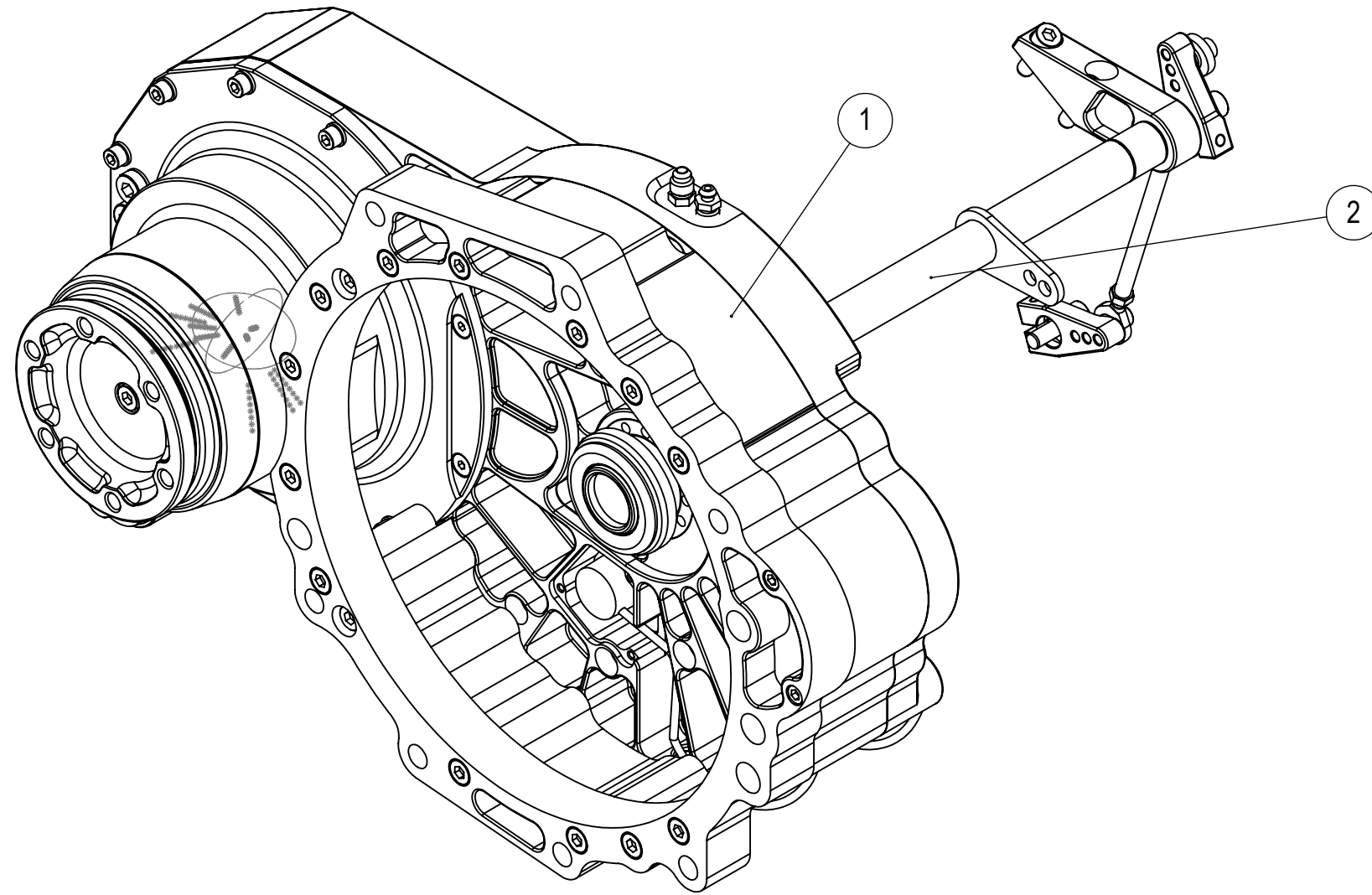
Material		Description SD Golf measurments		
Geometric Tolerance	Sheet 1/1	Mass in Gram 48397	Dim.in mm	Note
TRACTIVE		Date 2018-12-05	Proj	Part Number
		Drawn by JT	Designed by JT	Scale 1:5
				A5600054
				Revision

Rev.	Note	Date	Rev. By	Appr. By

Model: A560052 Rev:
Draft

Tractive AB
Gjutargatan 54 S-781 70 Borlänge
Tel +46 243 22 11 55 www.tractive.se

This drawing is the property of Tractive AB. Its submission does not include or carry the right to make, use or sell what is illustrated without the written consent of Tractive AB.



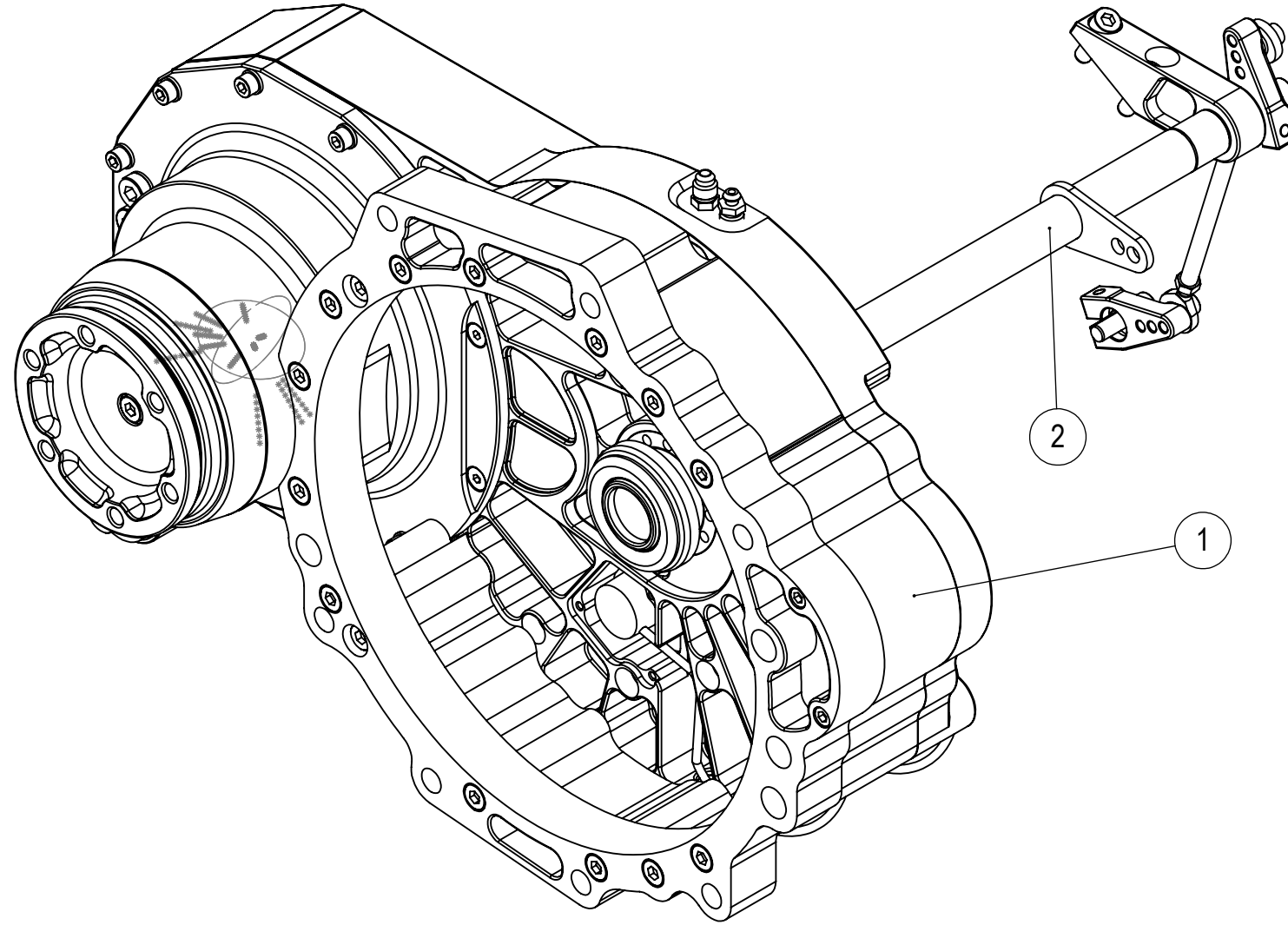
Item	Qty.	Part No.	Description	Note
1	1	A560044	Main housing SD Golf assembly	
2	1	A590019	SD 905 linkage	Top Mounted
Material			Description SD Golf assembly	
Geometric Tolerance		Sheet 1/2	Mass in Gram 26631	Dim.in mm
TRACTIVE		Date 2018-12-05	Proj	Part Number
		Drawn by JT	Designed by JT	Scale 1:3
				A560052

Rev.	Note	Date	Rev. By	Appr. By

Model: A5600052 Rev: **Draft**

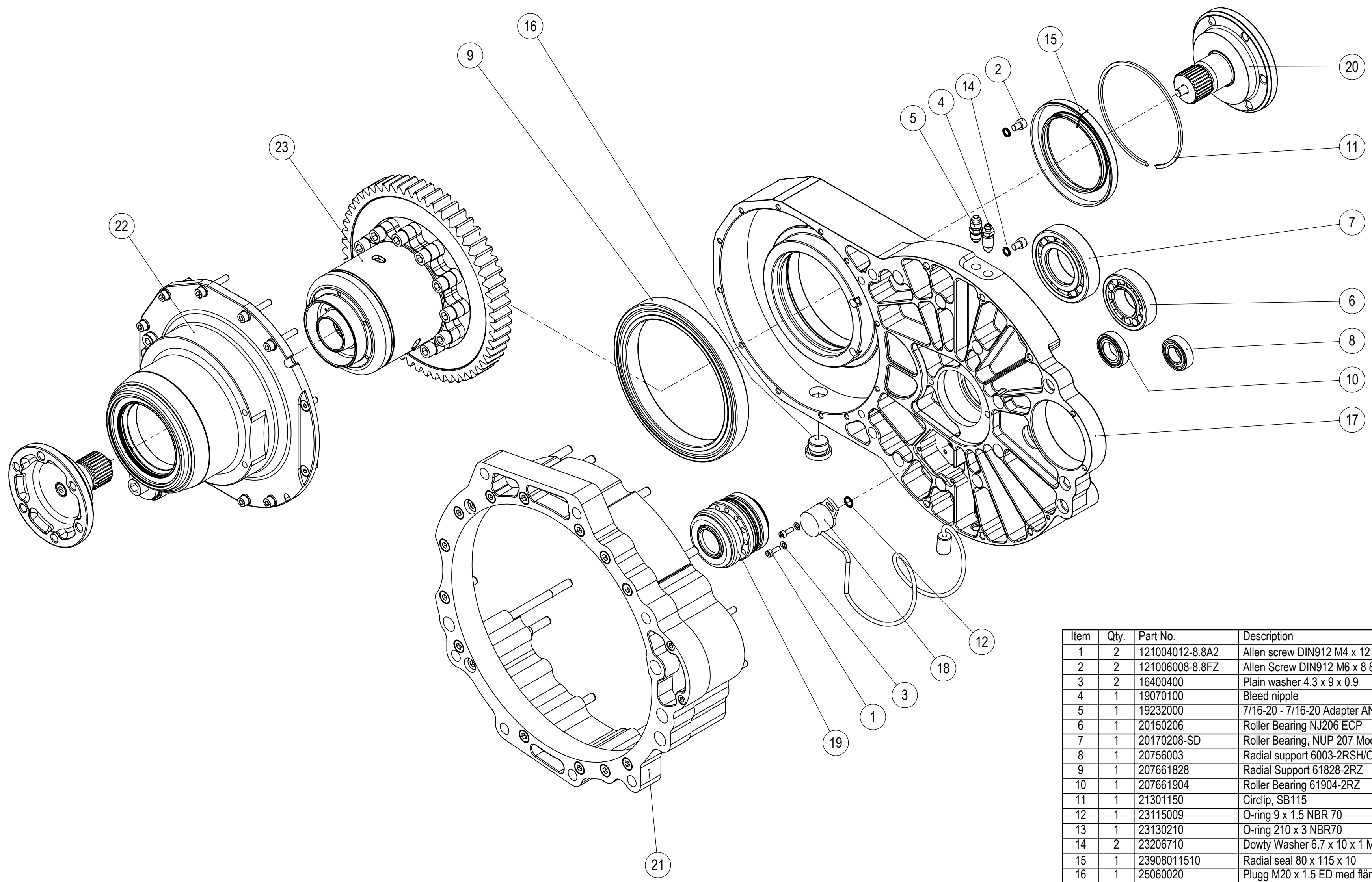
Tractive AB
Gjutargatan 54 S-781 70 Borlänge
Tel +46 243 22 11 55 www.tractive.se

This drawing is the property of Tractive AB. Its submission does not include or carry the right to make, use or sell what is illustrated without the written consent of Tractive AB.



Item	Qty.	Part No.	Description	Note
1	1	A5600044	Main housing SD Golf assembly	
2	1	A5900021	SD906 linkage	Top Mounted
Material			Description SD Golf assembly	
Geometric Tolerance		Sheet 2/2	Mass in Gram 26631	Dim.in mm
TRACTIVE		Date 2018-12-05	Proj	Part Number
		Drawn by JT	Designed by JT	Scale 1:3
				A5600052

Rev.	Note	Date	Rev. By	Appr. By



Item	Qty.	Part No.	Description	Note
1	2	121004012-8.8A2	Allen screw DIN912 M4 x 12 8.8A2	
2	2	121006008-8.8FZ	Allen Screw DIN912 M6 x 8 8.8Z	
3	2	16400400	Plain washer 4.3 x 9 x 0.9	
4	1	19070100	Bleed nipple	
5	1	19232000	7/16-20 - 7/16-20 Adapter AN4	
6	1	20150206	Roller Bearing NJ206 ECP	
7	1	20170208-SD	Roller Bearing, NUP 207 Modified	
8	1	20756003	Radial support 6003-2RSH/C3	
9	1	207661828	Radial Support 61828-2RZ	
10	1	207661904	Roller Bearing 61904-2RZ	
11	1	21301150	Circlip, SB115	
12	1	23115009	O-ring 9 x 1.5 NBR 70	
13	1	23130210	O-ring 210 x 3 NBR70	
14	2	23206710	Dowty Washer 6.7 x 10 x 1 M6	
15	1	23908011510	Radial seal 80 x 115 x 10	
16	1	25060020	Plugg M20 x 1.5 ED med fläns	
17	1	56050200		
18	1	64420600	Rotary sensor, VGX360-5KP	
19	1	A2600001	Slave cylinder assembly SD	
20	2	A3900001	Driveshaft SD assembly	
21	1	A5600053	Golf Spacers assembly	
22	1	A5700019	Diff housing Golf assembly	
23	1	A5700020	Differential SD90	

Material		Description		Note	
		Main housing SD Golf assembly			
Geometric Tolerance	Sheet	Mass in Gram	Dim.in mm		
	1/1	25965			
Date		Proj	Part Number	Revision	
2018-12-05					
Drawn by	Designed by	Scale			
JT	JT	1:3			

TRACTIVE

A5600044

Model: A560044 Rev: **Draft**

Tractive AB
Göteborgsgränd 54 S-781 70 Borlänge
Tel: +46 243 22 11 55 www.tractive.se

This drawing is the property of Tractive AB. Its submission does not include or carry the right to make, use or sell what is illustrated without the written consent of Tractive AB.

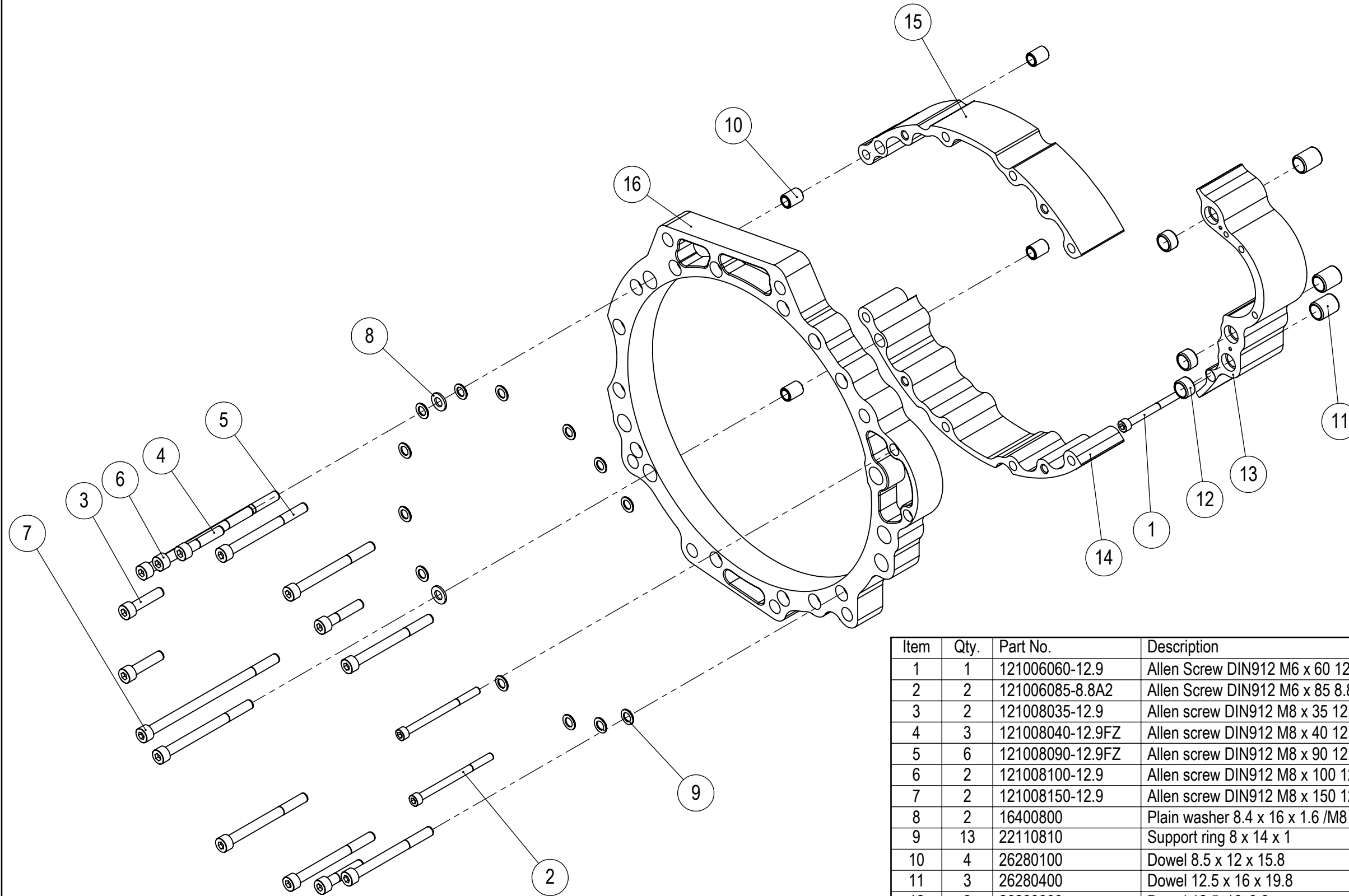
Rev.	Note	Date	Rev. By	Appr. By

Model: A560053 Rev:

Draft

Tractive AB
Gjutargatan 54 S-781 70 Borlänge
Tel +46 243 22 11 55 www.tractive.se

This drawing is the property of Tractive AB. Its submission does not include or carry the right to make, use or sell what is illustrated without the written consent of Tractive AB.



Item	Qty.	Part No.	Description	Note
1	1	121006060-12.9	Allen Screw DIN912 M6 x 60 12.9	
2	2	121006085-8.8A2	Allen Screw DIN912 M6 x 85 8.8A2	
3	2	121008035-12.9	Allen screw DIN912 M8 x 35 12.9	
4	3	121008040-12.9FZ	Allen screw DIN912 M8 x 40 12.9Z	
5	6	121008090-12.9FZ	Allen screw DIN912 M8 x 90 12.9Z	
6	2	121008100-12.9	Allen screw DIN912 M8 x 100 12.9	
7	2	121008150-12.9	Allen screw DIN912 M8 x 150 12.9	
8	2	16400800	Plain washer 8.4 x 16 x 1.6 /M8	
9	13	22110810	Support ring 8 x 14 x 1	
10	4	26280100	Dowel 8.5 x 12 x 15.8	
11	3	26280400	Dowel 12.5 x 16 x 19.8	
12	3	26280800	Dowel 12,5x16x9,8	
13	1	56060100	Spacer starter motor Golf	
14	1	56060300	Spacer Golf upper	fromparent+
15	1	56060400	Spacer Golf upper	
16	1	56100200	Support ring Golf	

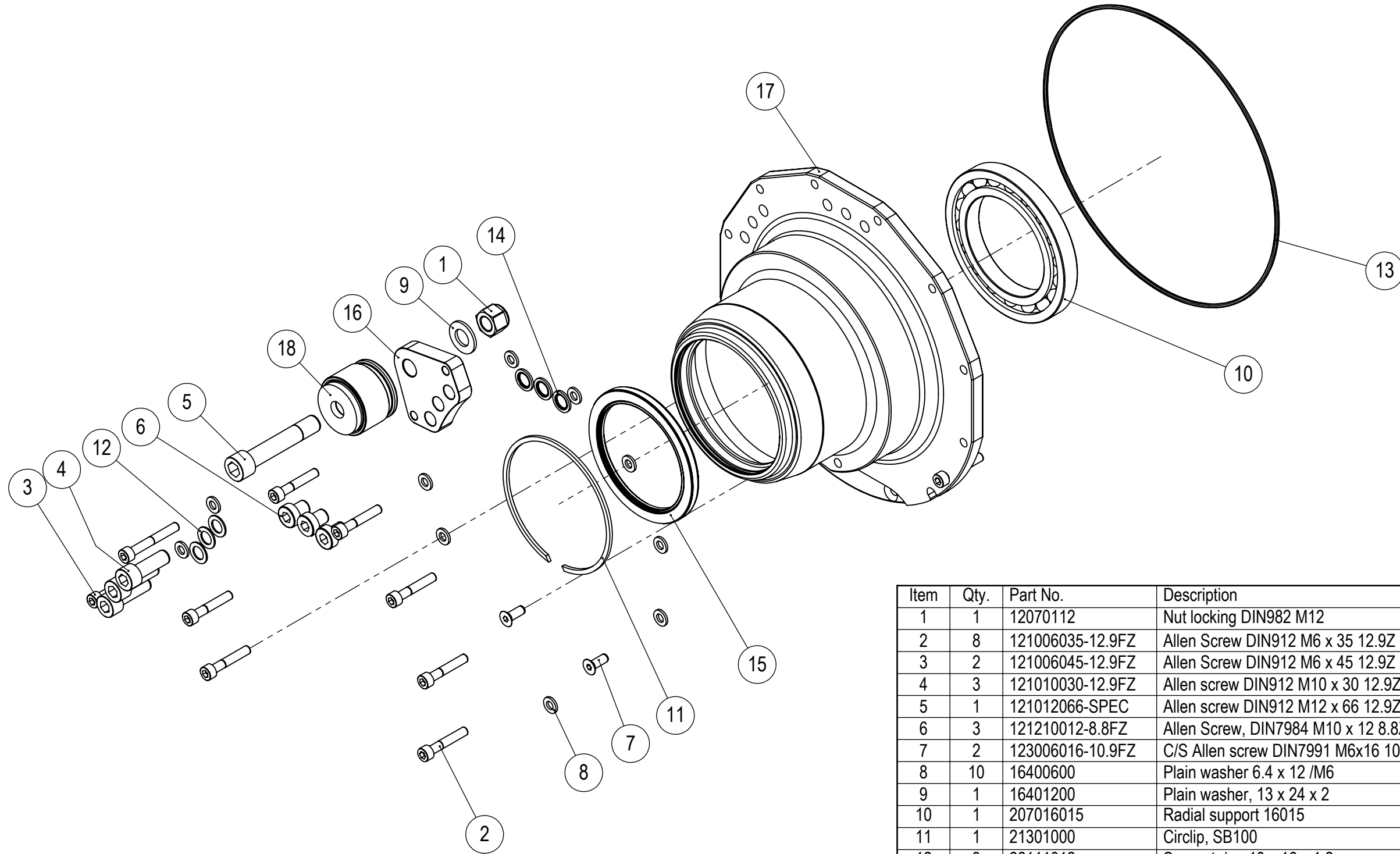
Material		Description		
		Golf Spacers assembly		
Geometric Tolerance	Sheet	Mass in Gram	Dim.in mm	Note
	1/1	4450		
TRACTIVE		Date	Proj	Part Number
		2018-12-05		A5600053
Drawn by	Designed by	Scale	Revision	
JT	JT	1:3.5		

Rev.	Note	Date	Rev. By	Appr. By

Model: A5700019 Rev: **Draft**

Tractive AB
Gjutargatan 54 S-781 70 Borlänge
Tel +46 243 22 11 55 www.tractive.se

This drawing is the property of Tractive AB. Its submission does not include or carry the right to make, use or sell what is illustrated without the written consent of Tractive AB.



Item	Qty.	Part No.	Description	Note
1	1	12070112	Nut locking DIN982 M12	
2	8	121006035-12.9FZ	Allen Screw DIN912 M6 x 35 12.9Z	
3	2	121006045-12.9FZ	Allen Screw DIN912 M6 x 45 12.9Z	
4	3	121010030-12.9FZ	Allen screw DIN912 M10 x 30 12.9Z	
5	1	121012066-SPEC	Allen screw DIN912 M12 x 66 12.9Z	
6	3	121210012-8.8FZ	Allen Screw, DIN7984 M10 x 12 8.8Z	Low head
7	2	123006016-10.9FZ	C/S Allen screw DIN7991 M6x16 10.9Z	
8	10	16400600	Plain washer 6.4 x 12 /M6	
9	1	16401200	Plain washer, 13 x 24 x 2	
10	1	207016015	Radial support 16015	
11	1	21301000	Circlip, SB100	
12	3	22111012	Support ring 10 x 16 x 1.2	
13	1	23125212	O-ring 212 x 2.5 NBR70	
14	3	23210716	Dowty washer, 10.7 x 16 x 1.5 M10	
15	1	24008010007	Radial seal 80 x 100 x 7 w. dust lip	
16	1	43260300	Bracket Corsa	
17	1	57110500	Diff housing outer, Golf	
18	1	A2600002	SD Mount Assembly	

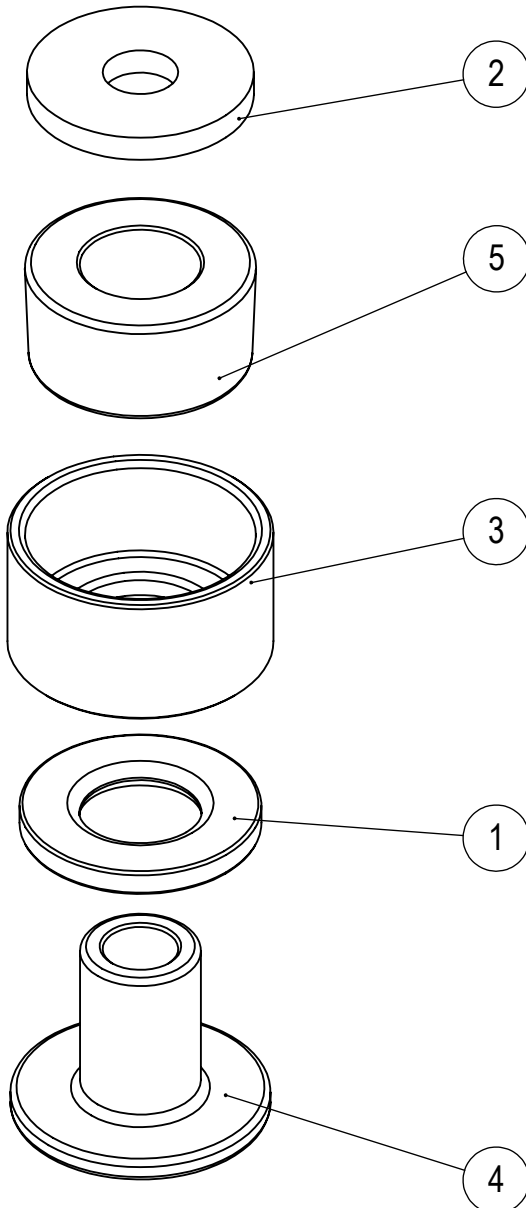
Material		Description Diff housing Golf assembly		
Geometric Tolerance	Sheet 1/1	Mass in Gram 2979	Dim.in mm	Note
TRACTIVE		Date 2018-12-05	Proj	Part Number
		Drawn by JT	Designed by JT	Scale 1:3
				A5700019
				Revision

This drawing is the property of Tractive AB. Its submission does not include or carry the right to make, use or sell what is illustrated without the written consent of Tractive AB.

Tractive AB
Gjutargatan 54 S-781 70 Borlänge
Tel +46 243 22 11 55 www.tractive.se

Approved

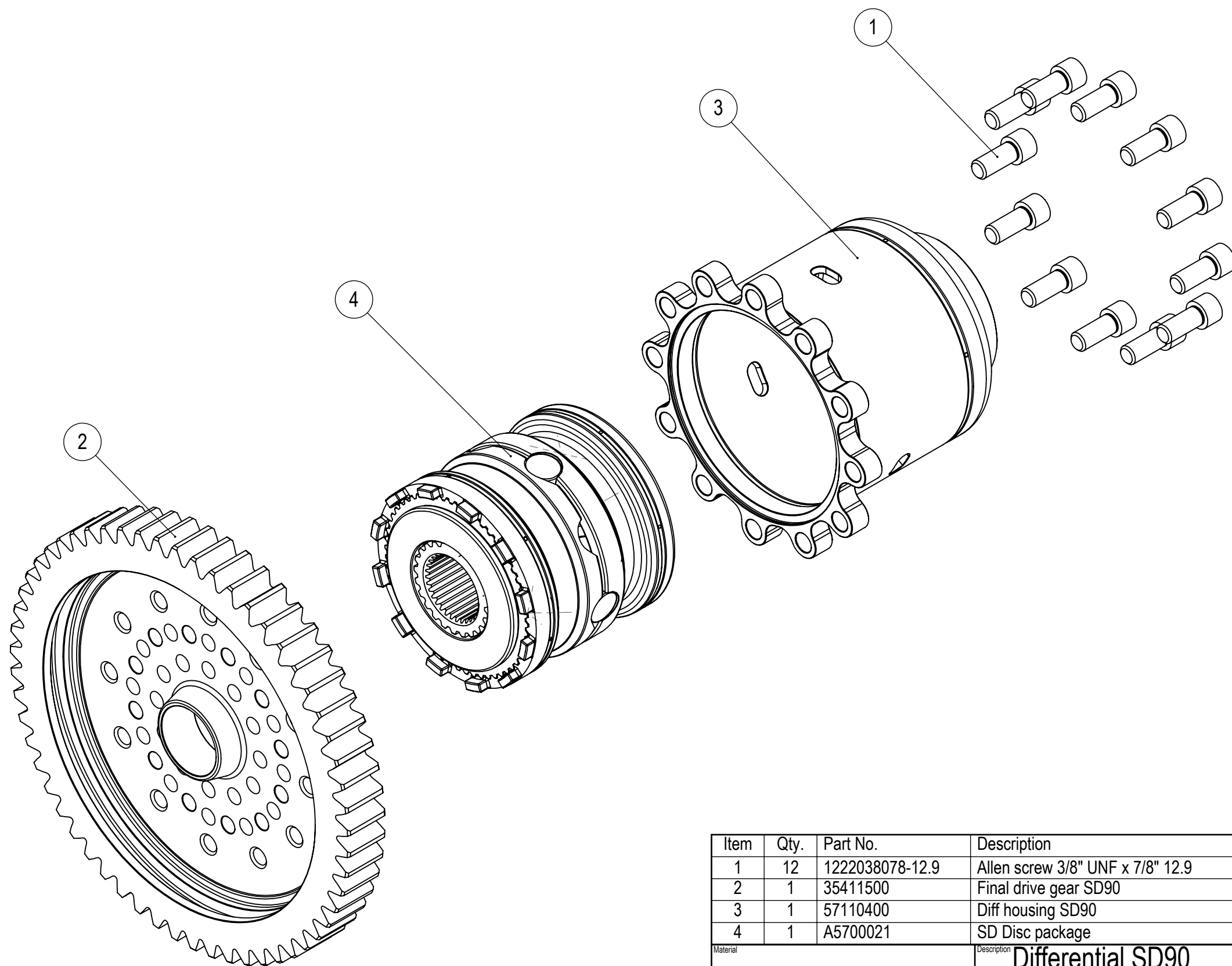
Rev.	Note	Date	Rev. By	Appr. By
A	New Document	2018-05-22	JG	JG



Item	Qty.	Part No.	Description	Note
1	1	16362042	Washer gearbox mount, SD90	
2	1	16401100	Washer	PP15 37,5x12,5x4,5
3	1	26340100	Sleeve gearbox mounting	
4	1	26340200	Sleeve inner gearbox mounting	
5	1	33020200	Bushing	Gearbox mount SD

Material		Description SD Mount Assembly		
Geometric Tolerance	Sheet 1/1	Mass in Gram 243	Dim.in mm	Note
TRACTIVE		Date 2018-05-21	Proj	Part Number
		Drawn by JT	Designed by JT	Scale 1:1.25
			A2600002	Revision A

Rev.	Note	Date	Rev. By	Appr. By
A	New Document	2018-01-30	JG	JG



Item	Qty.	Part No.	Description	Note
1	12	1222038078-12.9	Allen screw 3/8" UNF x 7/8" 12.9	
2	1	35411500	Final drive gear SD90	57:12, 4.750:1
3	1	57110400	Diff housing SD90	
4	1	A5700021	SD Disc package	

Material		Description Differential SD90		
Geometric Tolerance	Sheet 1/1	Mass in Gram 9472	Dim.in mm	Note
TRACTIVE		Date 2018-01-30	Proj	Part Number
		Drawn by JT	Designed by JT	Scale 1:2
				Revision A5700020

Approved

Model: A5700020 Rev. A

Tractive AB
Gjutargatan 54 S-781 70 Borlänge
Tel +46 243 22 11 55 www.tractive.se

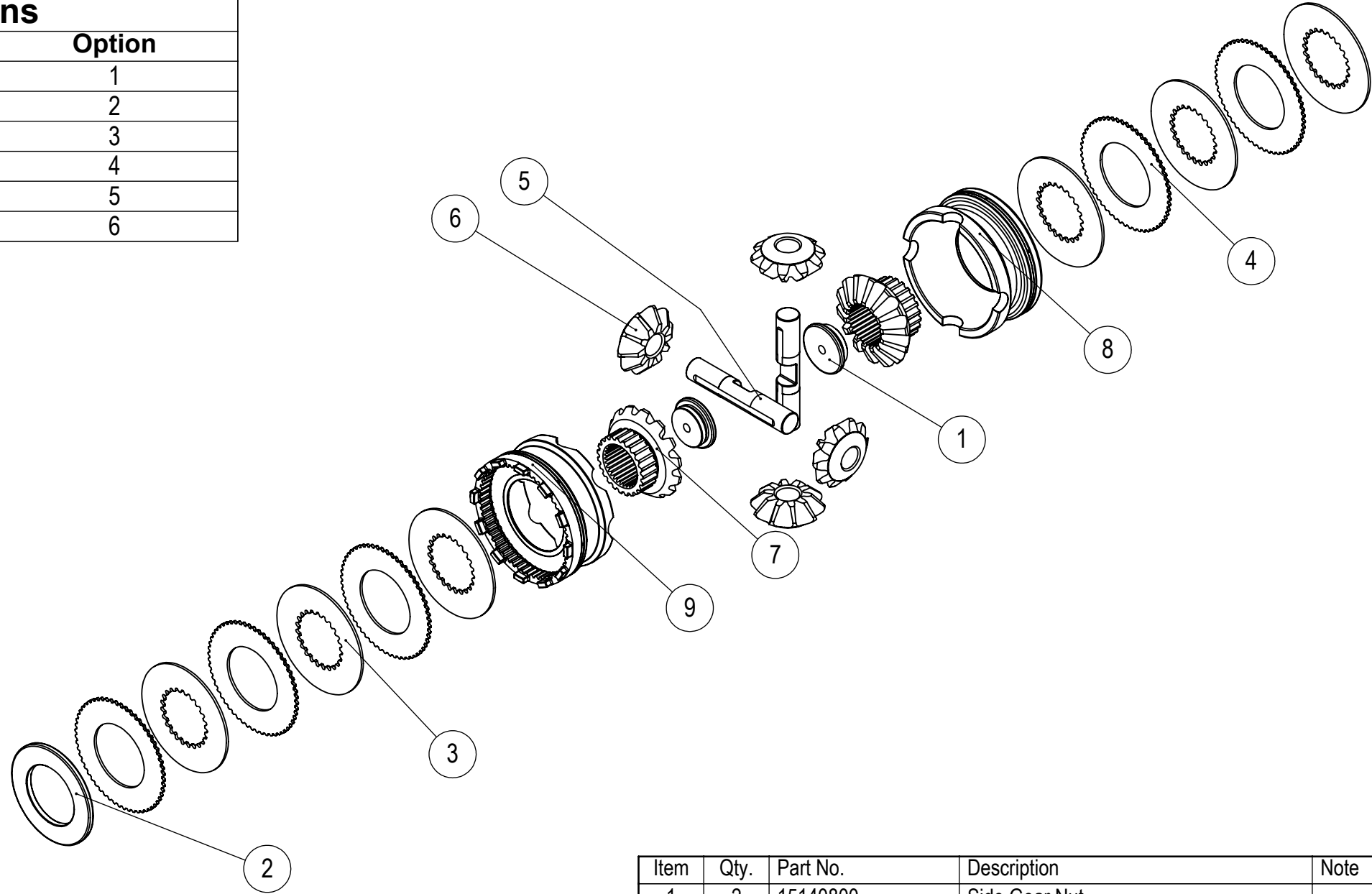
This drawing is the property of Tractive AB. Its submission does not include or carry the right to make, use or sell what is illustrated without the written consent of Tractive AB.

SD Diff Pre load options

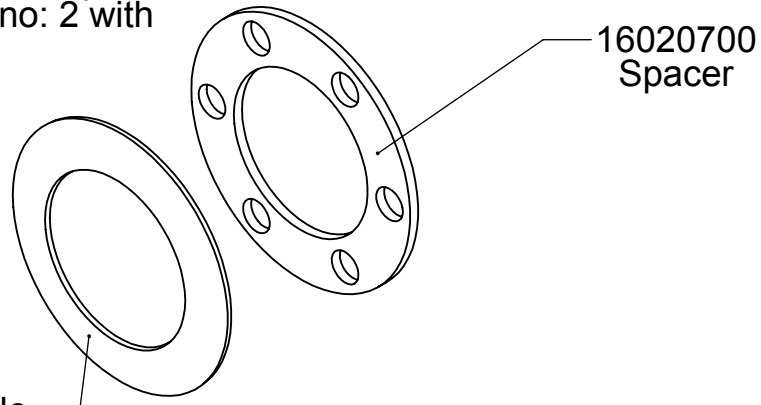
Belleville	Spacer	Approx Nm
No	16243100	0
328052155	16020700	75
328052165	16020700	90
328052175	16020700	120
328052180	16020700	140

SD Diff ramp options

Ramp	Setting	Option
57500100	30/30	1
57500100	45/45	2
57500700	30/80	3
57500700	40/80	4
57501200	55/55	5
57501200	65/65	6



With preload option
Replace no: 2 with



Rev.	Note	Date	Rev. By	Appr. By
A	New Document	2018-01-30	JG	JG

Item	Qty.	Part No.	Description	Note
1	2	15140800	Side Gear Nut	
2	1	16243100	Axial Washer	SD90 Diff
3	6	27010100	Friction disc, Molybdenum coated	
4	5	27020300	Diffplate, 56T, 2.0 mm	
5	2	34050500	Cross Pin	
6	4	35380200	Planetary Gear	Differential
7	2	35400500	Side gear, SD90 34mm spline	
8	1	57500200	Side shell	L=45
9	1	57500700	Ramp asymmetric 30/80-40/80	

Material		Description Lsd package		
Geometric Tolerance	Sheet 1/1	Mass in Gram 4235	Dim.in mm	Note
TRACTIVE		Date 2018-01-30	Proj	Part Number
		Drawn by JT	Designed by JT	Scale 1:4
				Revision A5700021 A

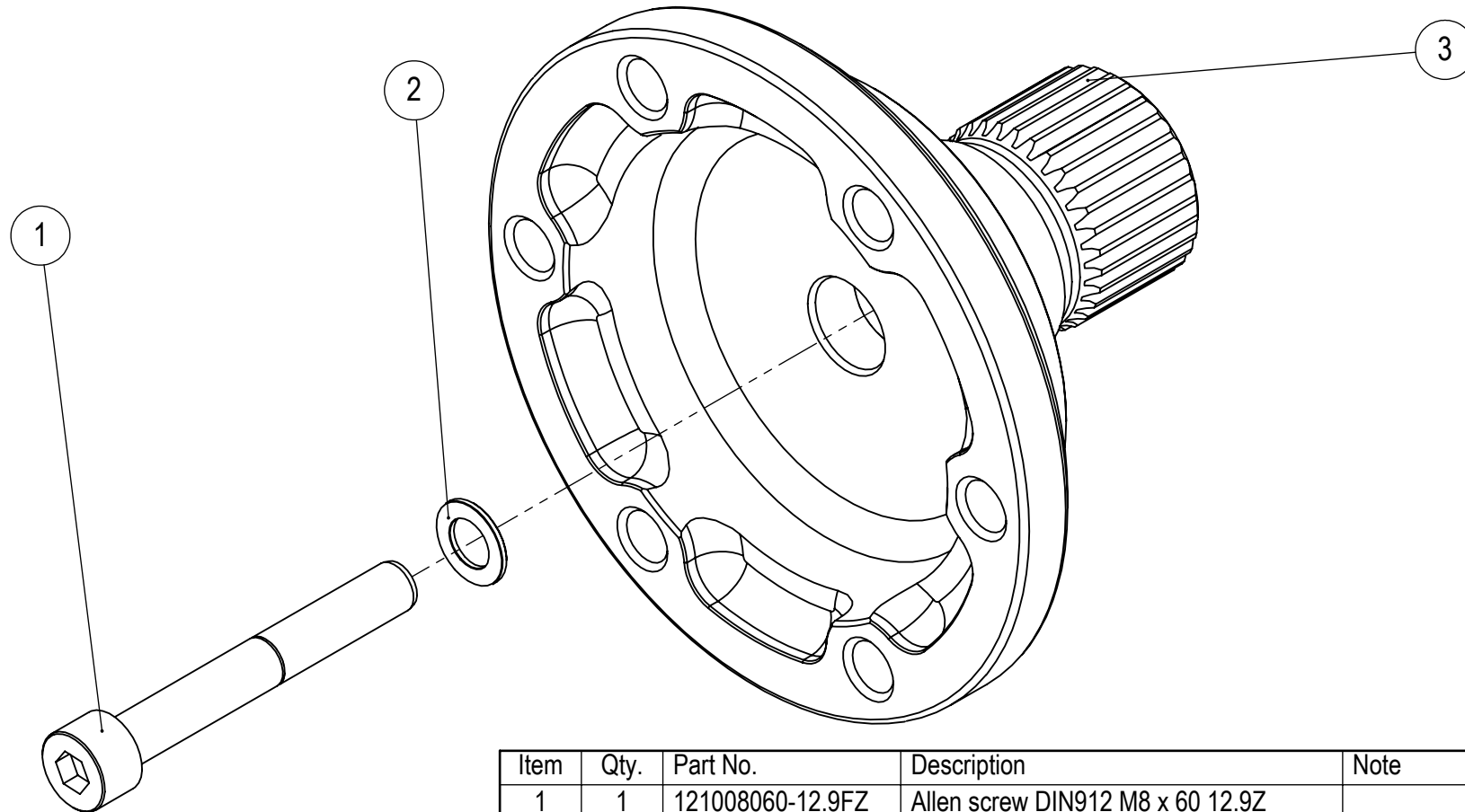
This drawing is the property of Tractive AB. Its submission does not include or carry the right to make, use or sell what is illustrated without the written consent of Tractive AB.

Tractive AB
Gjutargatan 54 S-781 70 Borlänge
Tel +46 243 22 11 55 www.tractive.se

Model: A3900001 Rev: A

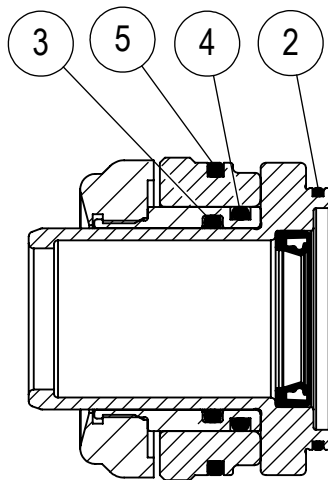
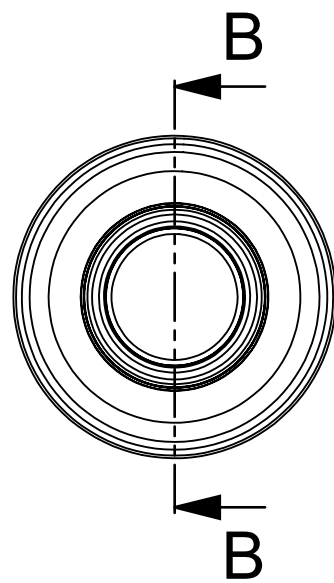
Approved

Rev.	Note	Date	Rev. By	Appr. By
A	Updated after migration	2018-01-29	JT	JG

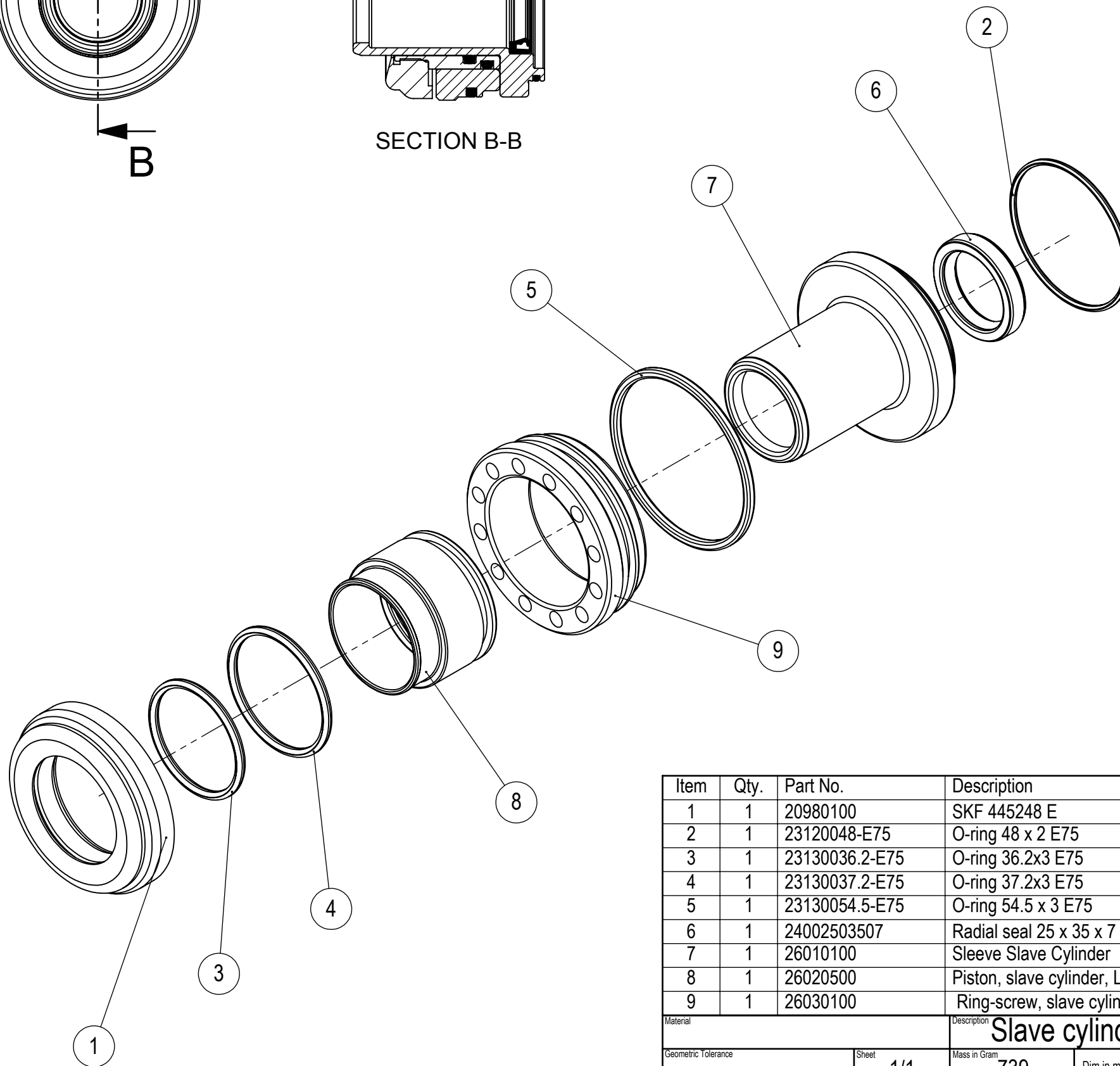


Item	Qty.	Part No.	Description	Note
1	1	121008060-12.9FZ	Allen screw DIN912 M8 x 60 12.9Z	
2	1	22110810	Support ring 8 x 14 x 1	
3	1	39060600	Output flange SD90 diff 34 mm shaft	
Material			Description Driveshaft SD assembly	
Geometric Tolerance		Sheet 1/1	Mass in Gram 1027	Dim.in mm
			Date	Proj
			Part Number	Revision
			Drawn by	Designed by JT
			Scale 1:1	
				A3900001
				A

Rev.	Note	Date	Rev. By	Appr. By
A	Updated after migration	2018-01-29	JT	JG



SECTION B-B



Item	Qty.	Part No.	Description	Note
1	1	20980100	SKF 445248 E	
2	1	23120048-E75	O-ring 48 x 2 E75	
3	1	23130036.2-E75	O-ring 36.2x3 E75	
4	1	23130037.2-E75	O-ring 37.2x3 E75	
5	1	23130054.5-E75	O-ring 54.5 x 3 E75	
6	1	24002503507	Radial seal 25 x 35 x 7	
7	1	26010100	Sleeve Slave Cylinder	
8	1	26020500	Piston, slave cylinder, L:33	
9	1	26030100	Ring-screw, slave cylinder	

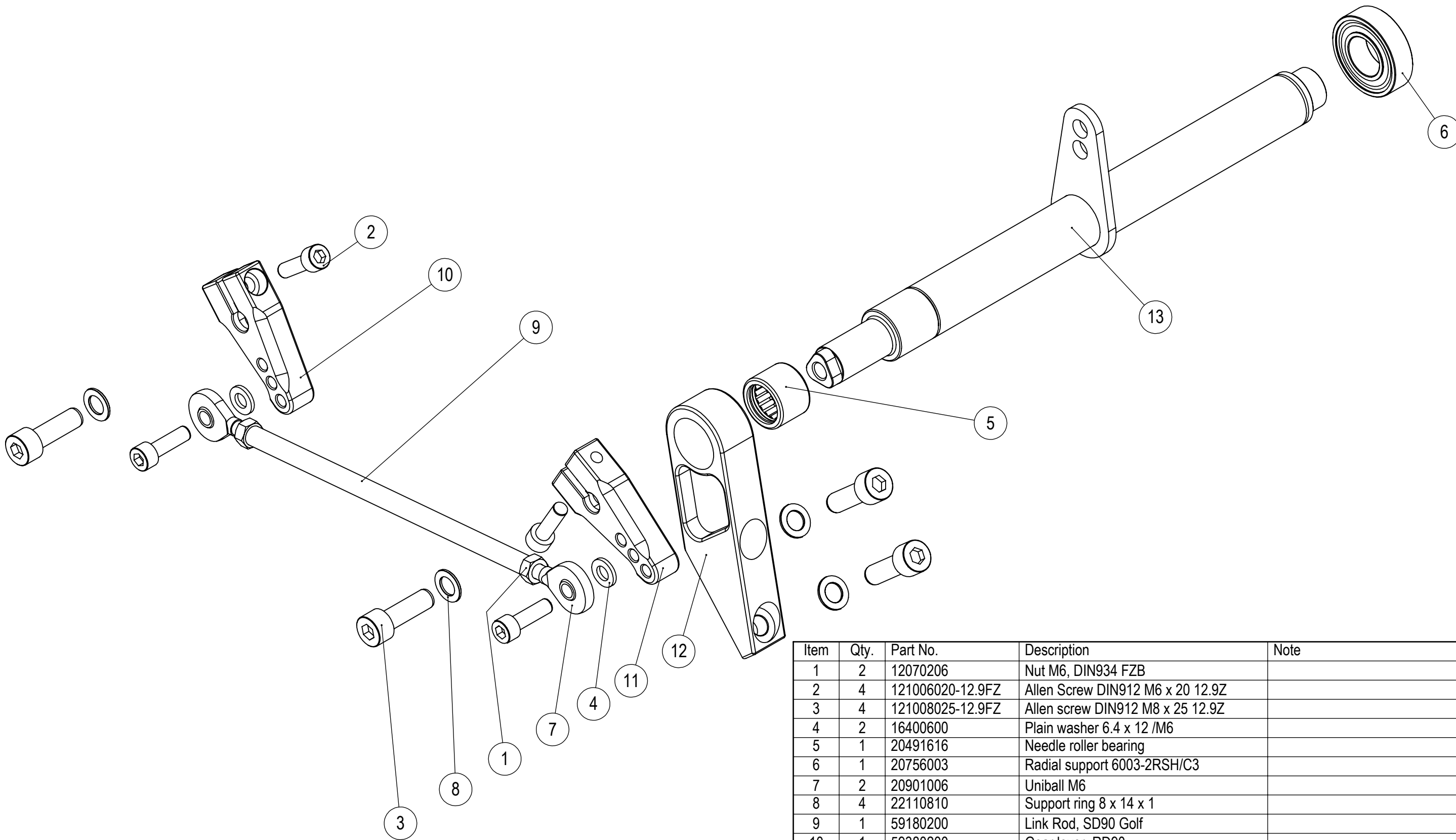
Material		Description Slave cylinder assembly SD		
Geometric Tolerance	Sheet 1/1	Mass in Gram 739	Dim.in mm	Note
TRACTIVE		Date	Proj	Part Number
		Drawn by	Designed by JT	Scale 1:1.5
				Revision A2600001 A

This drawing is the property of Tractive AB. Its submission does not include or carry the right to make, use or sell what is illustrated without the written consent of Tractive AB.

Tractive AB
Gjutargatan 54 S-781 70 Borlänge
Tel +46 243 22 11 55 www.tractive.se

Model: A2600001 Rev. A
Approved

Rev.	Note	Date	Rev. By	Appr. By
A	New Document	2018-05-22	JG	JG



Item	Qty.	Part No.	Description	Note
1	2	12070206	Nut M6, DIN934 FZB	
2	4	121006020-12.9FZ	Allen Screw DIN912 M6 x 20 12.9Z	
3	4	121008025-12.9FZ	Allen screw DIN912 M8 x 25 12.9Z	
4	2	16400600	Plain washer 6.4 x 12 /M6	
5	1	20491616	Needle roller bearing	
6	1	20756003	Radial support 6003-2RSH/C3	
7	2	20901006	Uniball M6	
8	4	22110810	Support ring 8 x 14 x 1	
9	1	59180200	Link Rod, SD90 Golf	
10	1	59380200	Gear lever, RD90	
11	1	59380300	Gear lever, SD90, Golf	
12	1	59390200	Bracket	
13	1	59880201	SD linkage tube L=203	

Material		Description SD 905 linkage		
Geometric Tolerance	Sheet 1/1	Mass in Gram 665	Dim.in mm	Note Top Mounted
TRACTIVE		Date 2018-05-21	Proj	Part Number A5900019
		Drawn by JT	Designed by JT	
				Revision A

Approved

Tractive AB
 Gjutargatan 54 S-781 70 Borlänge
 Tel +46 243 22 11 55 www.tractive.se

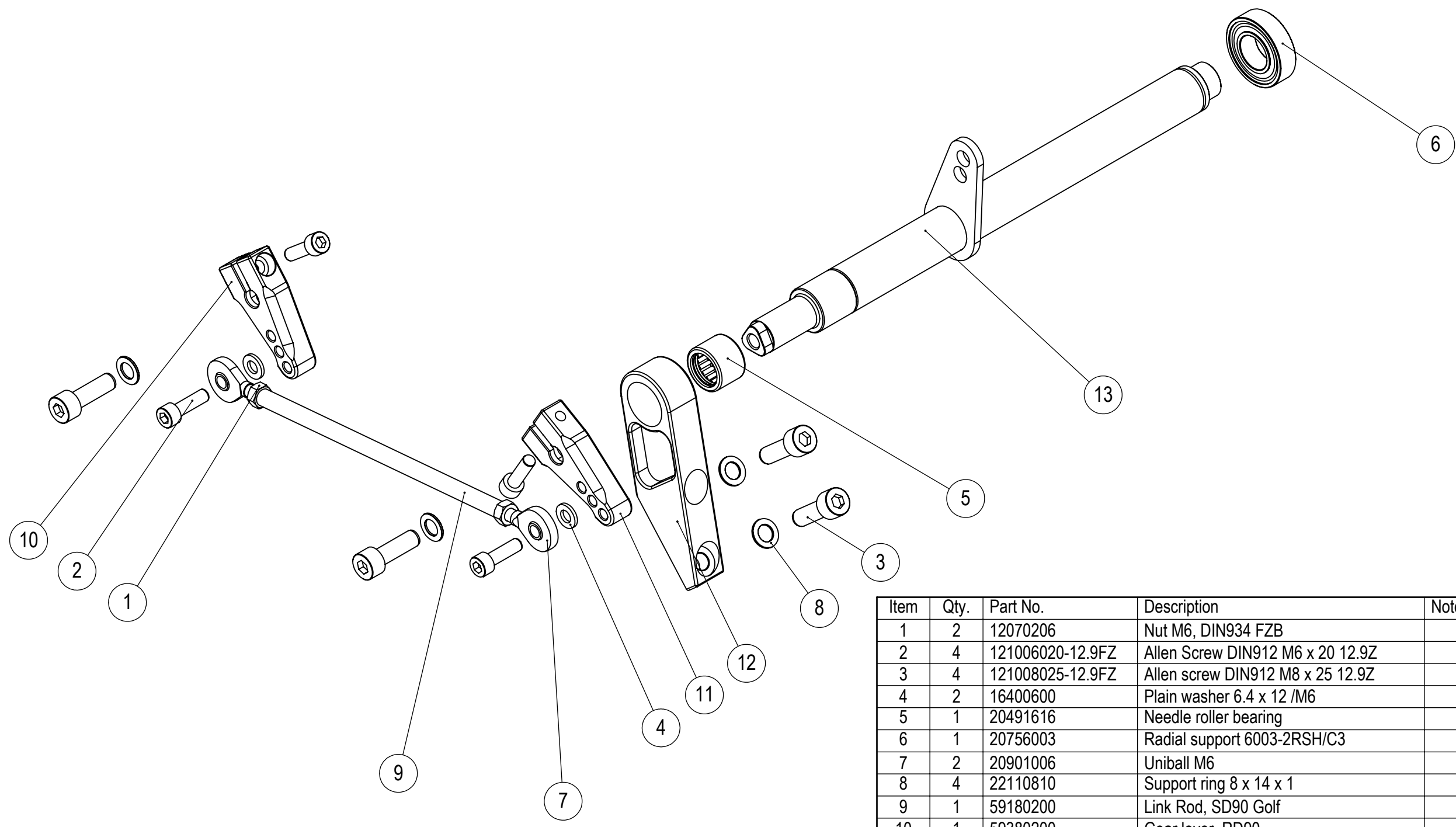
This drawing is the property of Tractive AB. Its submission does not include or carry the right to make, use or sell what is illustrated without the written consent of Tractive AB.

Rev.	Note	Date	Rev. By	Appr. By

Model: A5900021 Rev. A
Draft

Tractive AB
Gjutargatan 54 S-781 70 Borlänge
Tel +46 243 22 11 55 www.tractive.se

This drawing is the property of Tractive AB. Its submission does not include or carry the right to make, use or sell what is illustrated without the written consent of Tractive AB.



Item	Qty.	Part No.	Description	Note
1	2	12070206	Nut M6, DIN934 FZB	
2	4	121006020-12.9FZ	Allen Screw DIN912 M6 x 20 12.9Z	
3	4	121008025-12.9FZ	Allen screw DIN912 M8 x 25 12.9Z	
4	2	16400600	Plain washer 6.4 x 12 /M6	
5	1	20491616	Needle roller bearing	
6	1	20756003	Radial support 6003-2RSH/C3	
7	2	20901006	Uniball M6	
8	4	22110810	Support ring 8 x 14 x 1	
9	1	59180200	Link Rod, SD90 Golf	
10	1	59380200	Gear lever, RD90	
11	1	59380300	Gear lever, SD90, Golf	
12	1	59390200	Bracket	
13	1	59880401	SD Linkage tube L=221.5	

Material		Description SD906 linkage		
Geometric Tolerance	Sheet 1/1	Mass in Gram 677	Dim.in mm	Note Top Mounted
TRACTIVE		Date 2018-12-05	Proj	Part Number A5900021
		Drawn by JT	Designed by JT	
Revision				