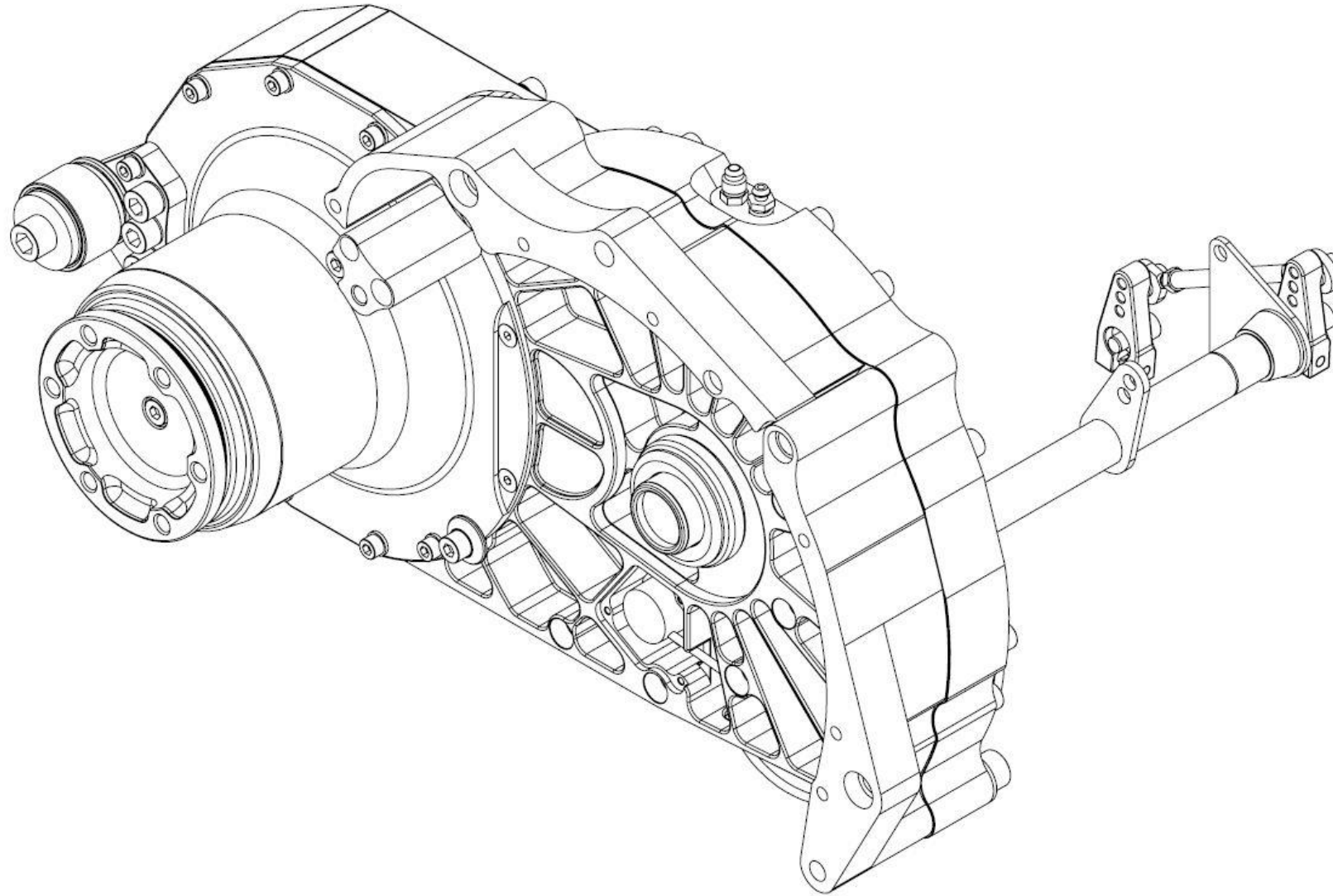




SD CORSA 2.0 HOUSING ASSEMBLY





SD Corsa 2.0 housing

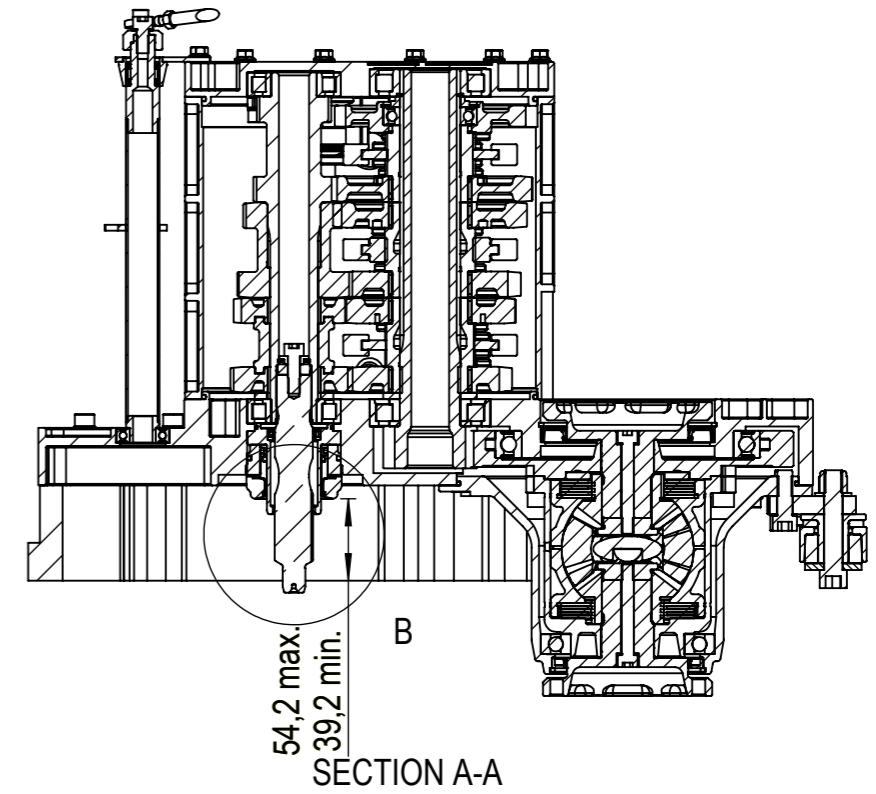
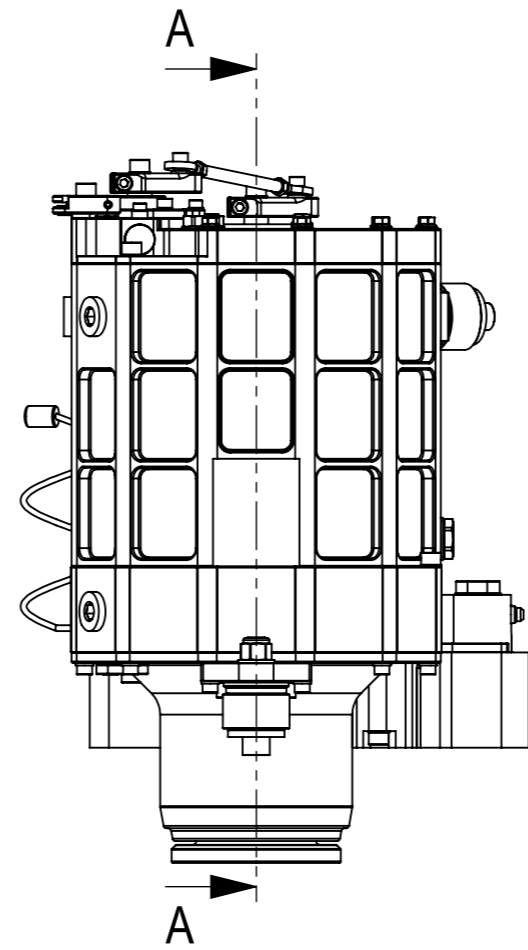
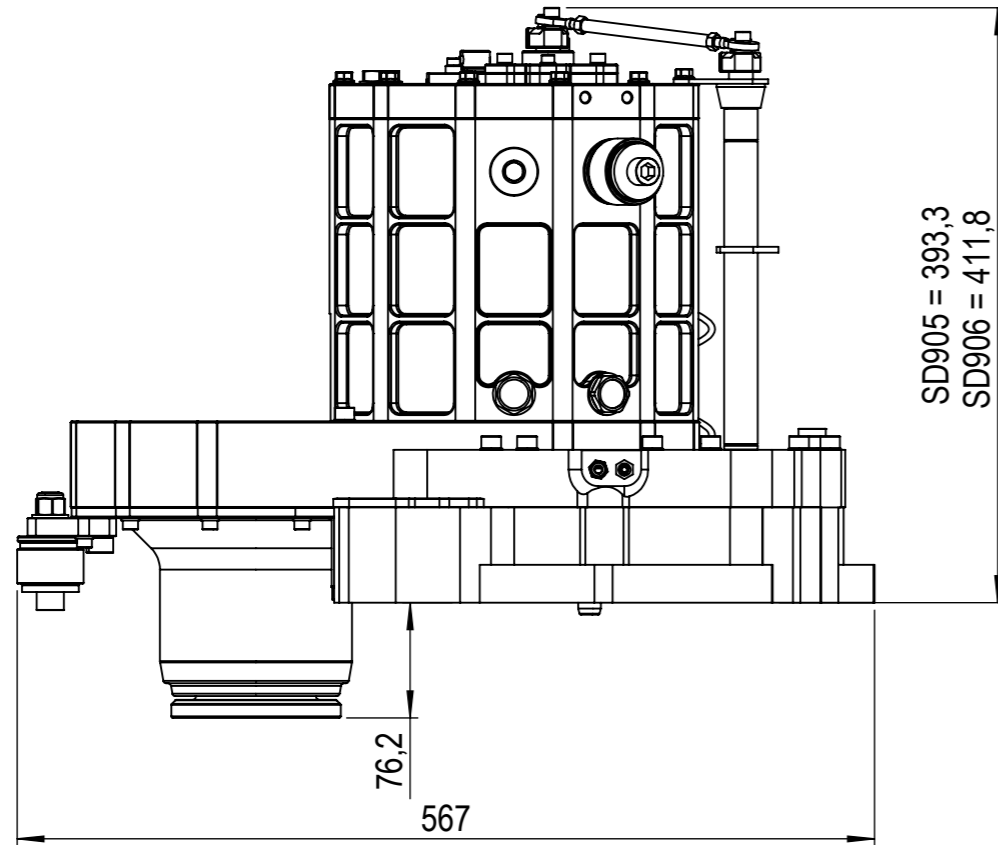
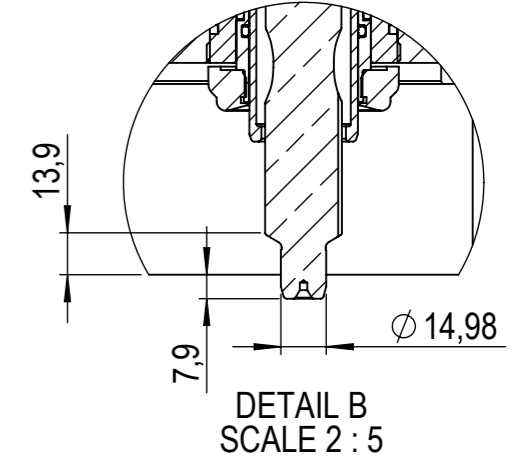
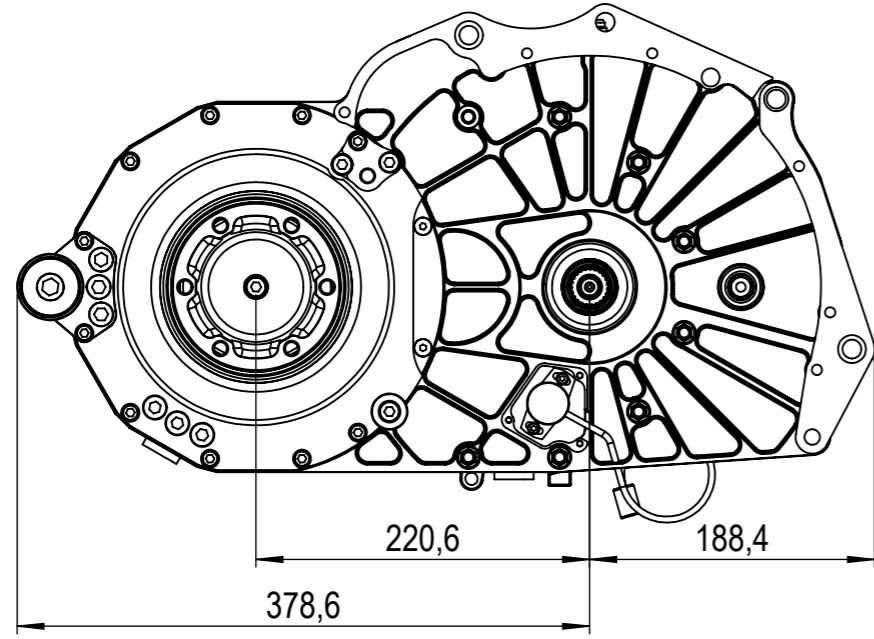
TABLE OF CONTENTS

1. SD Corsa 2.0 measurements (Drawing no. A5600055)
2. SD Corsa 2.0 housing assembly (Drawing no. A5600058)
3. Main housing SD Corsa 2.0 assembly (Drawing no. A5600056)
4. Corsa 2.0 Spacers assembly (Drawing no. A5600057)
5. Diff housing Corsa 2.0 assembly (Drawing no. A5700009)
6. SD Mount assembly (Drawing no. A2600002)
7. Differential SD90 (Drawing no. A5700020)
8. Lsd package (Drawing no. A5700021)
9. Driveshaft SD assembly (Drawing no. A3900001)
10. Slave cylinder assembly SD (Drawing no. A2600001)
11. SD 905 linkage (Drawing no. A5900004)
12. SD 906 linkage (Drawing no. A5900009)

Rev.	Note	Date	Rev. By	Appr. By

Model: A5600055 Rev:

Draft



This drawing is the property of Tractive AB. Its submission does not include or carry the right to make, use or sell what is illustrated without the written consent of Tractive AB.

Tractive AB
Gjutargatan 54 S-781 70 Borlänge
Tel +46 243 22 11 55 www.tractive.se

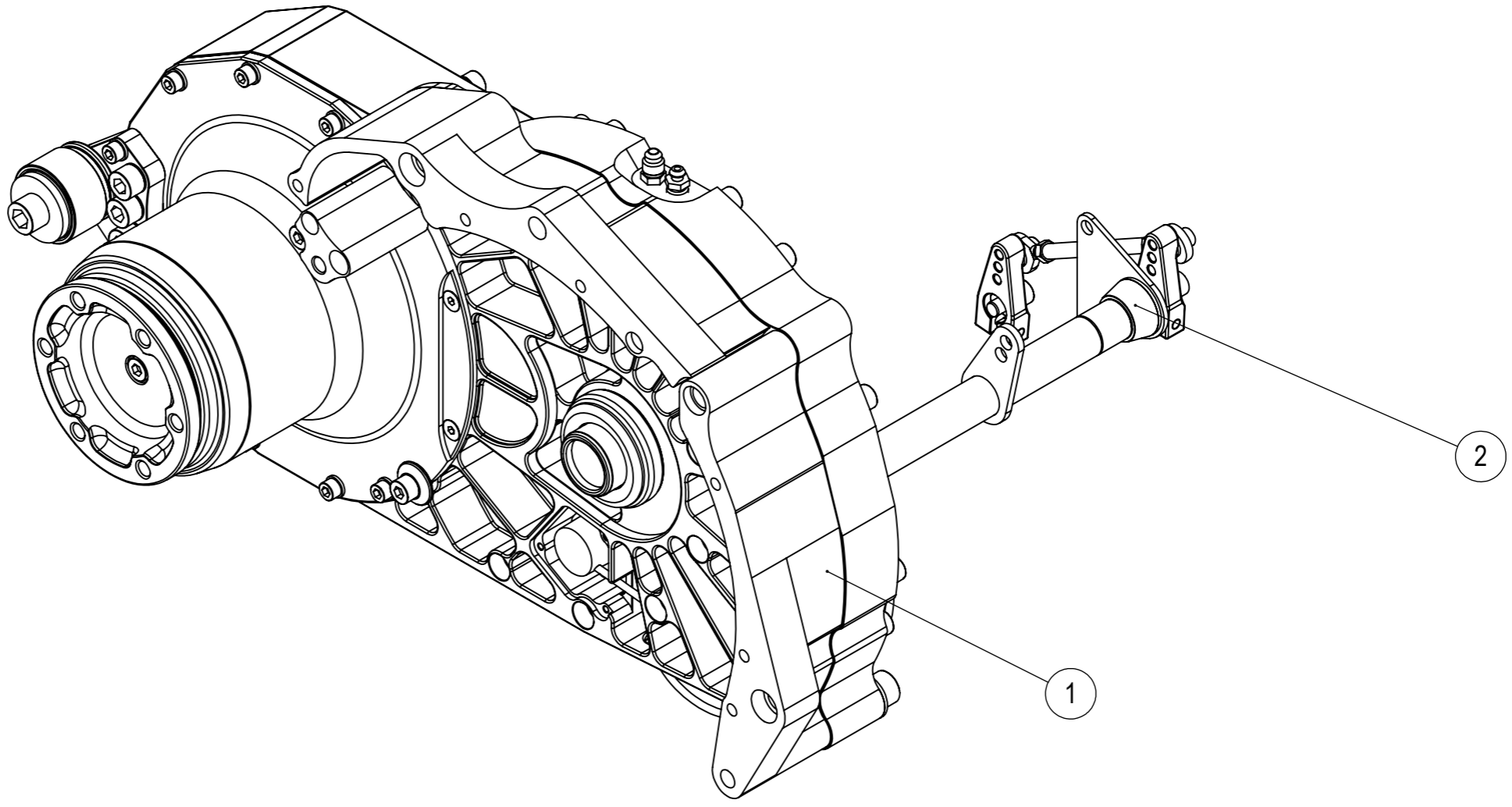
Material		Description SD Corsa 2.0 measurment		
Geometric Tolerance	Sheet 1/1	Mass in Gram 44914	Dim.in mm	Note
TRACTIVE		Date 2018-12-12	Proj	Part Number
		Drawn by JT	Designed by JT	Scale 1:5
				A5600055

Rev.	Note	Date	Rev. By	Appr. By

Model: A5600058 Rev: **Draft**

Tractive AB
Gjutargatan 54 S-781 70 Borlänge
Tel +46 243 22 11 55 www.tractive.se

This drawing is the property of Tractive AB. Its submission does not include or carry the right to make, use or sell what is illustrated without the written consent of Tractive AB.



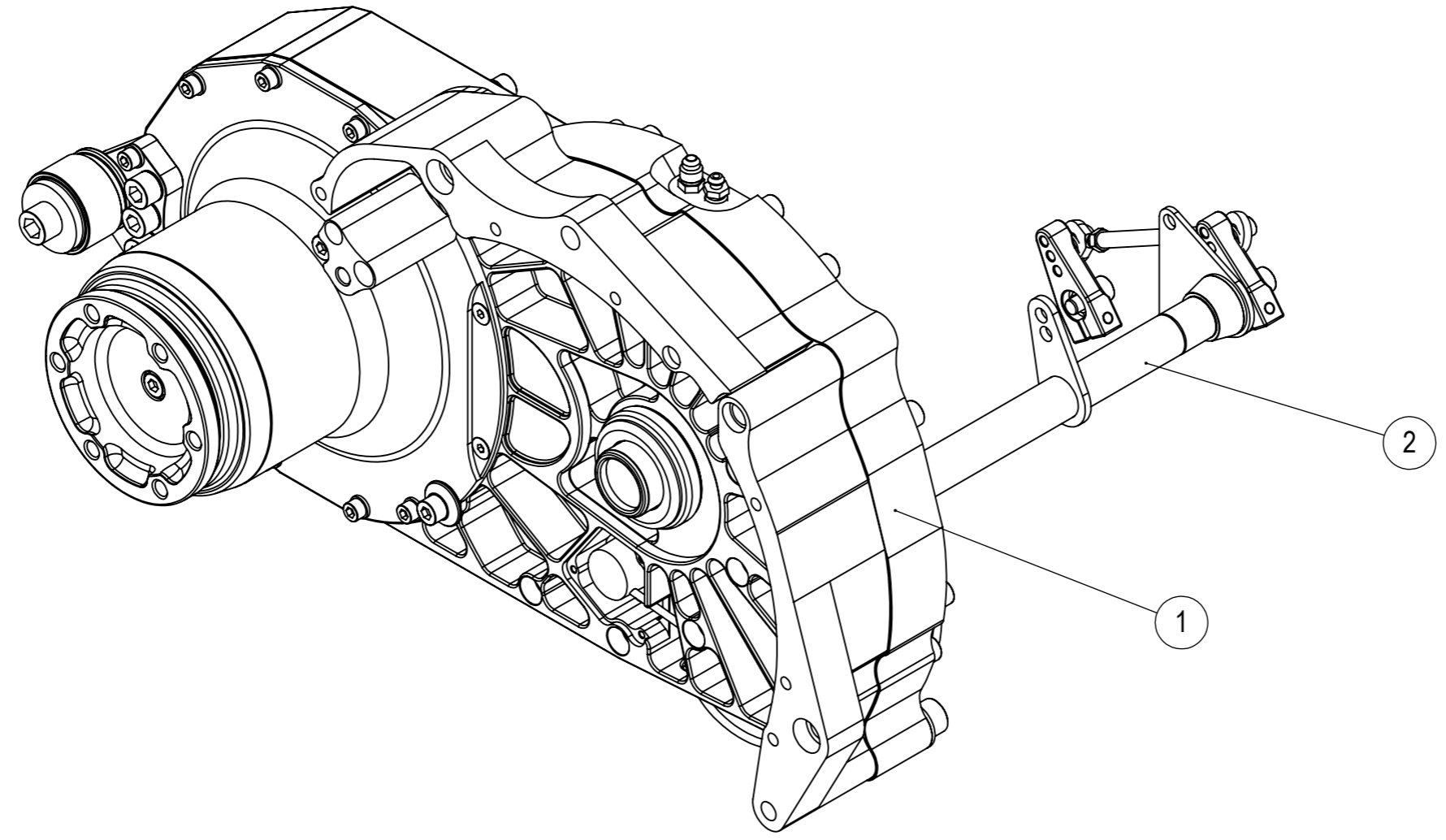
Item	Qty.	Part No.	Description	Note
1	1	A5600056	Main housing SD Corsa 2.0 assembly	
2	1	A5900004	SD905 linkage	Center mounted
Material		Description SD Corsa 2.0 assembly		
Geometric Tolerance		Sheet 1/2	Mass in Gram 23440	Dim.in mm
TRACTIVE		Date 2018-12-13	Proj	Part Number
		Drawn by JT	Designed by JT	Scale 1:3
				A5600058

Rev.	Note	Date	Rev. By	Appr. By

Model: A5600058 Rev: **Draft**

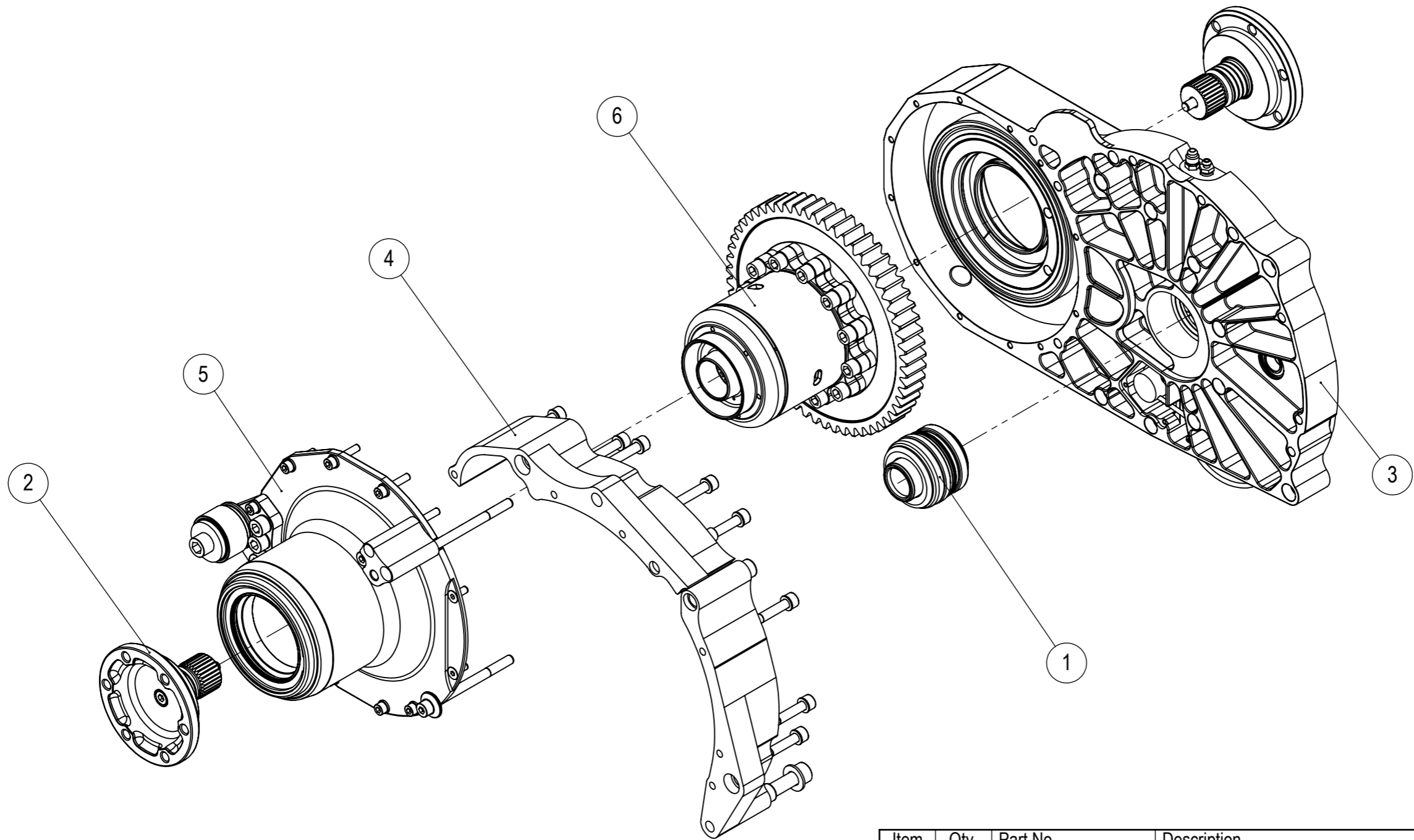
Tractive AB
Gjutargatan 54 S-781 70 Borlänge
Tel +46 243 22 11 55 www.tractive.se

This drawing is the property of Tractive AB. Its submission does not include or carry the right to make, use or sell what is illustrated without the written consent of Tractive AB.



Item	Qty.	Part No.	Description	Note
1	1	A5600056	Main housing SD Corsa 2.0 assembly	
2	1	A5900009	SD906 linkage	Center mounted
Material		Description SD Corsa 2.0 assembly		
Geometric Tolerance		Sheet 2/2	Mass in Gram 23449	Dim.in mm
TRACTIVE		Date 2018-12-13	Proj	Part Number
		Drawn by JT	Designed by JT	Scale 1:3
				A5600058

Rev.	Note	Date	Rev. By	Appr. By



Model: A560056 Rev. A
Draft

Tractive AB
Gjutargatan 54 S-781 70 Borlänge
Tel +46 243 22 11 55 www.tractive.se

This drawing is the property of Tractive AB. Its submission does not include or carry the right to make, use or sell what is illustrated without the written consent of Tractive AB.

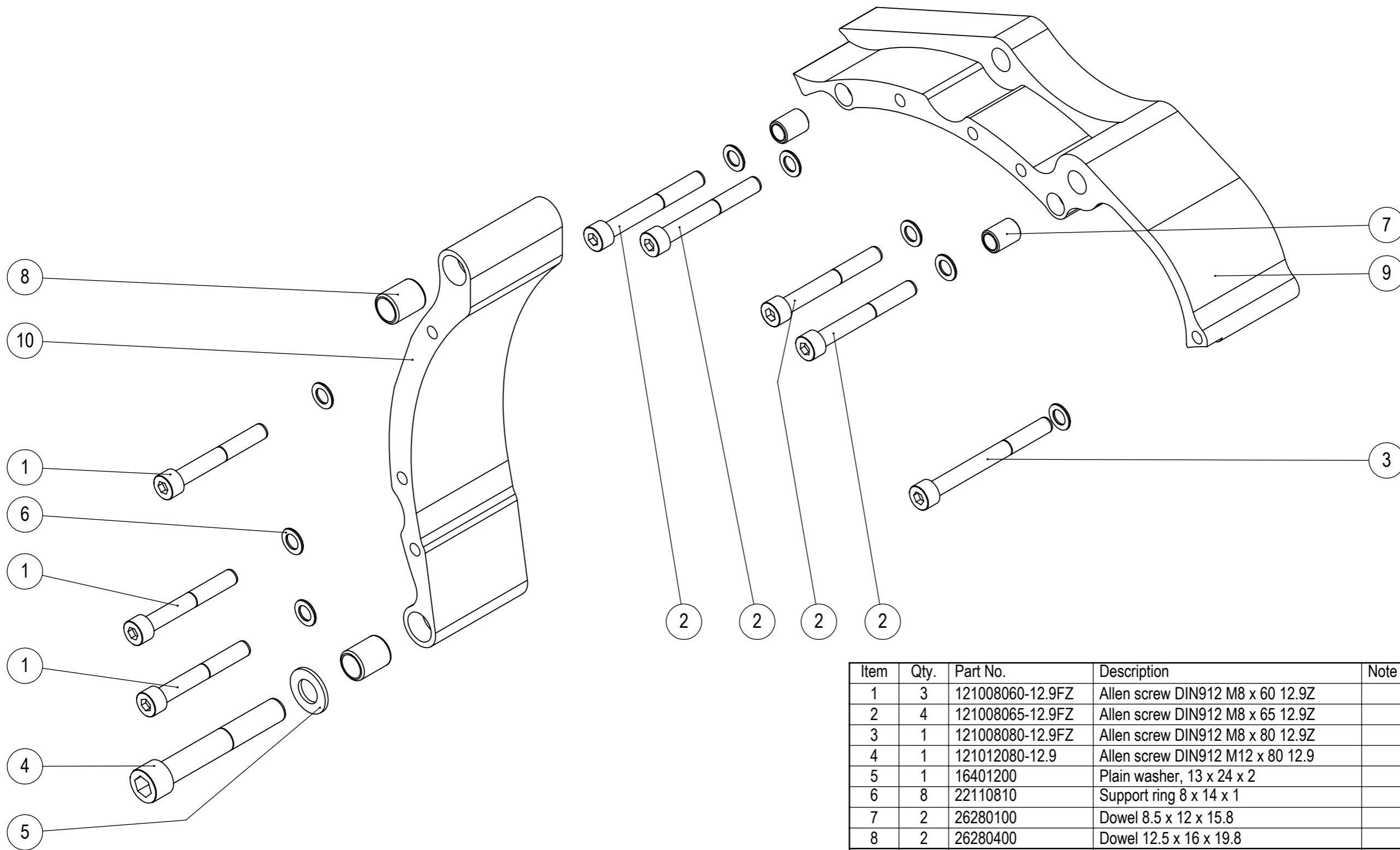
Item	Qty.	Part No.	Description	Note
1	1	A2600001	Slave cylinder assembly SD	
2	2	A3900001	Driveshaft SD assembly	
3	1	A5600038	Main housing SD Corsa assembly	
4	1	A5600057	Corsa spacers assembly	
5	1	A5700009	Diff housing Corsa 2.0 assembly	
6	1	A5700020	Differential SD90	
Material			Description Main housing SD Corsa 2.0 assembly	
Geometric Tolerance		Sheet 1/1	Mass in Gram 22861	Dim.in mm
TRACTIVE		Date 2018-12-13	Proj	Part Number
		Drawn by JT	Designed by JT	Scale 1:4
				A5600056

Rev.	Note	Date	Rev. By	Appr. By

Model: A560057 Rev: **Draft**

Tractive AB
Gjutargatan 54 S-781 70 Borlänge
Tel +46 243 22 11 55 www.tractive.se

This drawing is the property of Tractive AB. Its submission does not include or carry the right to make, use or sell what is illustrated without the written consent of Tractive AB.



Item	Qty.	Part No.	Description	Note
1	3	121008060-12.9FZ	Allen screw DIN912 M8 x 60 12.9Z	
2	4	121008065-12.9FZ	Allen screw DIN912 M8 x 65 12.9Z	
3	1	121008080-12.9FZ	Allen screw DIN912 M8 x 80 12.9Z	
4	1	121012080-12.9	Allen screw DIN912 M12 x 80 12.9	
5	1	16401200	Plain washer, 13 x 24 x 2	
6	8	22110810	Support ring 8 x 14 x 1	
7	2	26280100	Dowel 8.5 x 12 x 15.8	
8	2	26280400	Dowel 12.5 x 16 x 19.8	
9	1	56060500	Spacer rear Corsa	
10	1	56060600	Spacer front Corsa	

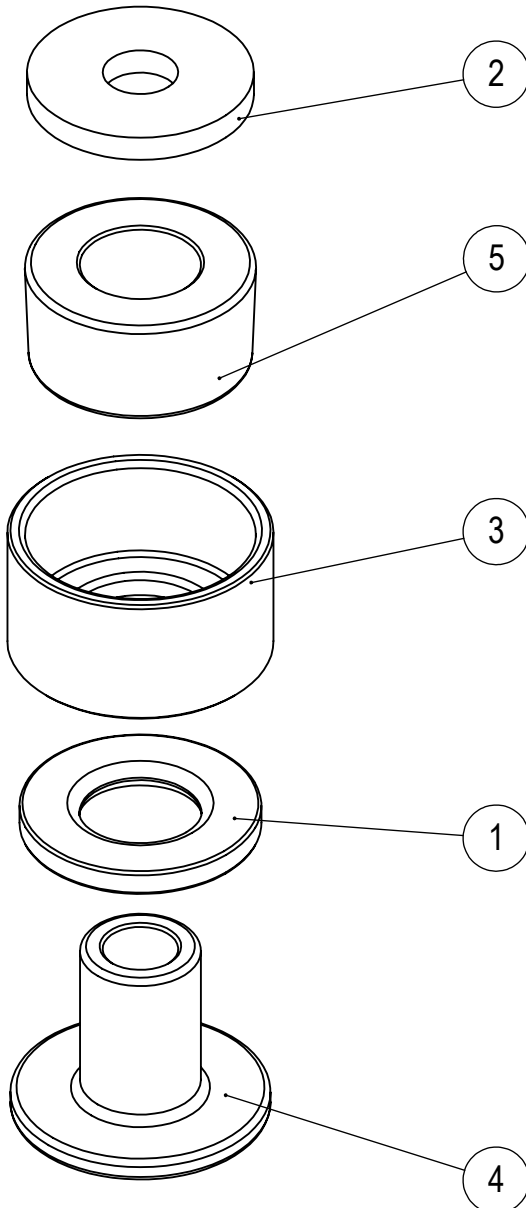
Material		Description Corsa spacers assembly		
Geometric Tolerance	Sheet 1/1	Mass in Gram 1921	Dim.in mm	Note
TRACTIVE		Date 2018-12-13	Proj	Part Number
		Drawn by JT	Designed by JT	Scale 1:2
				Revision A5600057

This drawing is the property of Tractive AB. Its submission does not include or carry the right to make, use or sell what is illustrated without the written consent of Tractive AB.

Tractive AB
Gjutargatan 54 S-781 70 Borlänge
Tel +46 243 22 11 55 www.tractive.se

Approved

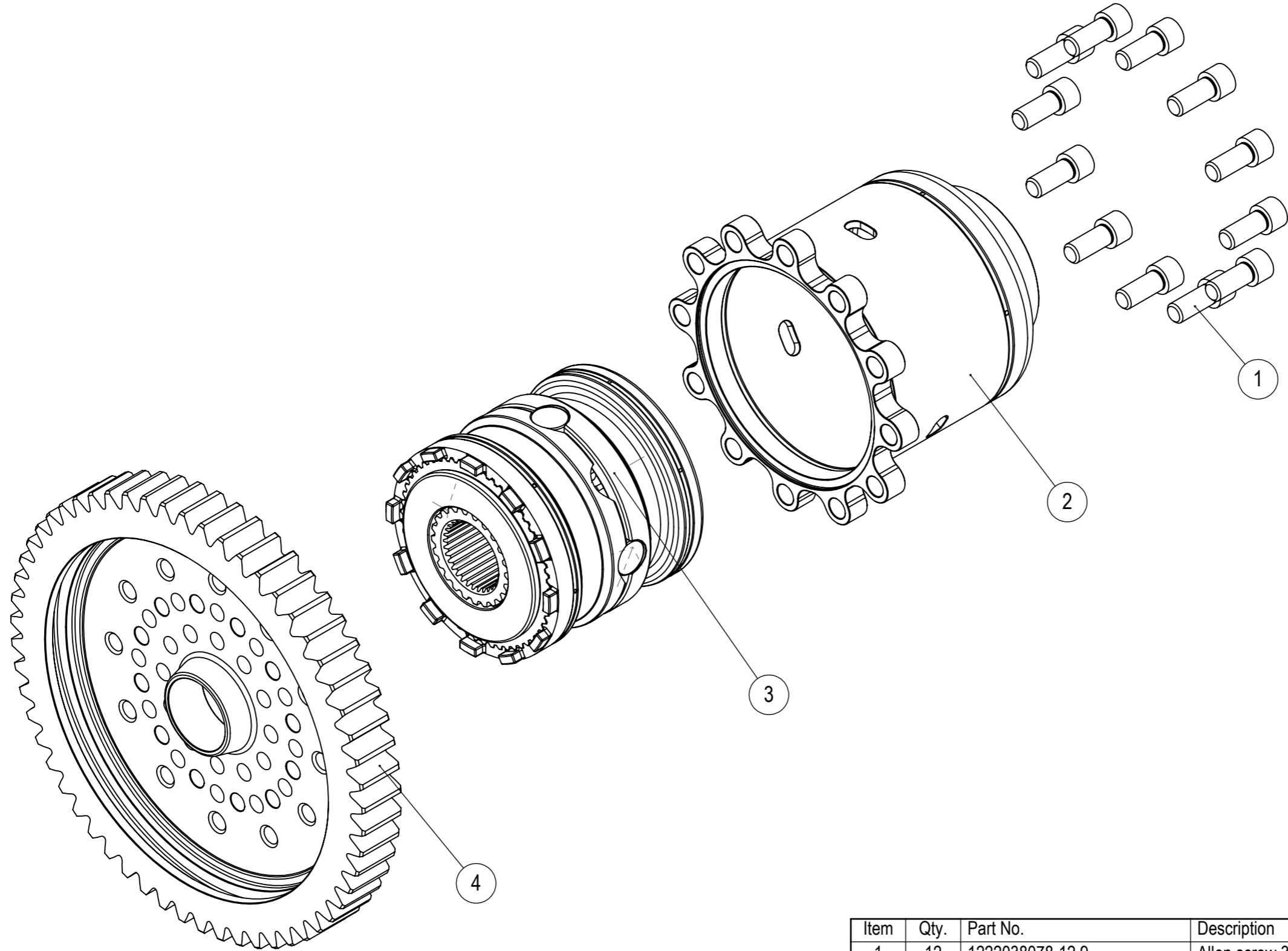
Rev.	Note	Date	Rev. By	Appr. By
A	New Document	2018-05-22	JG	JG



Item	Qty.	Part No.	Description	Note
1	1	16362042	Washer gearbox mount, SD90	
2	1	16401100	Washer	PP15 37,5x12,5x4,5
3	1	26340100	Sleeve gearbox mounting	
4	1	26340200	Sleeve inner gearbox mounting	
5	1	33020200	Bushing	Gearbox mount SD

Material		Description SD Mount Assembly		
Geometric Tolerance	Sheet 1/1	Mass in Gram 243	Dim.in mm	Note
TRACTIVE		Date 2018-05-21	Proj	Part Number
		Drawn by JT	Designed by JT	Scale 1:1.25
			A2600002	Revision A

Rev.	Note	Date	Rev. By	Appr. By
A	New Document	2018-01-30	JG	JG



Ring gear options		
Ring gear	Teeth	Ratio to 1
35410800	50	4,54
35412200	54	3,86 and 4,15
35412300	55	3,93 and 4,23
35412400	56	4 and 4,31
35411500	57	4,75
35411600	57	5,18

Item	Qty.	Part No.	Description	Note
1	12	1222038078-12.9	Allen screw 3/8" UNF x 7/8" 12.9	
2	1	57110400	Diff housing SD90	
3	1	A5700021	Lsd package	
4	1	See ring gear options	Final drive gear SD90	
Material			Description Differential SD90	
Geometric Tolerance		Sheet 1/1	Mass in Gram 9331	Dim.in mm
TRACTIVE		Date 2018-01-30	Proj	Part Number
		Drawn by JT	Designed by JT	Scale 1:2
				Revision A5700020

Approved

Model: A5700020 Rev. A
Tractive AB
Gjutargatan 54 S-781 70 Borlänge
Tel +46 243 22 11 55 www.tractive.se

This drawing is the property of Tractive AB. Its submission does not include or carry the right to make, use or sell what is illustrated without the written consent of Tractive AB.

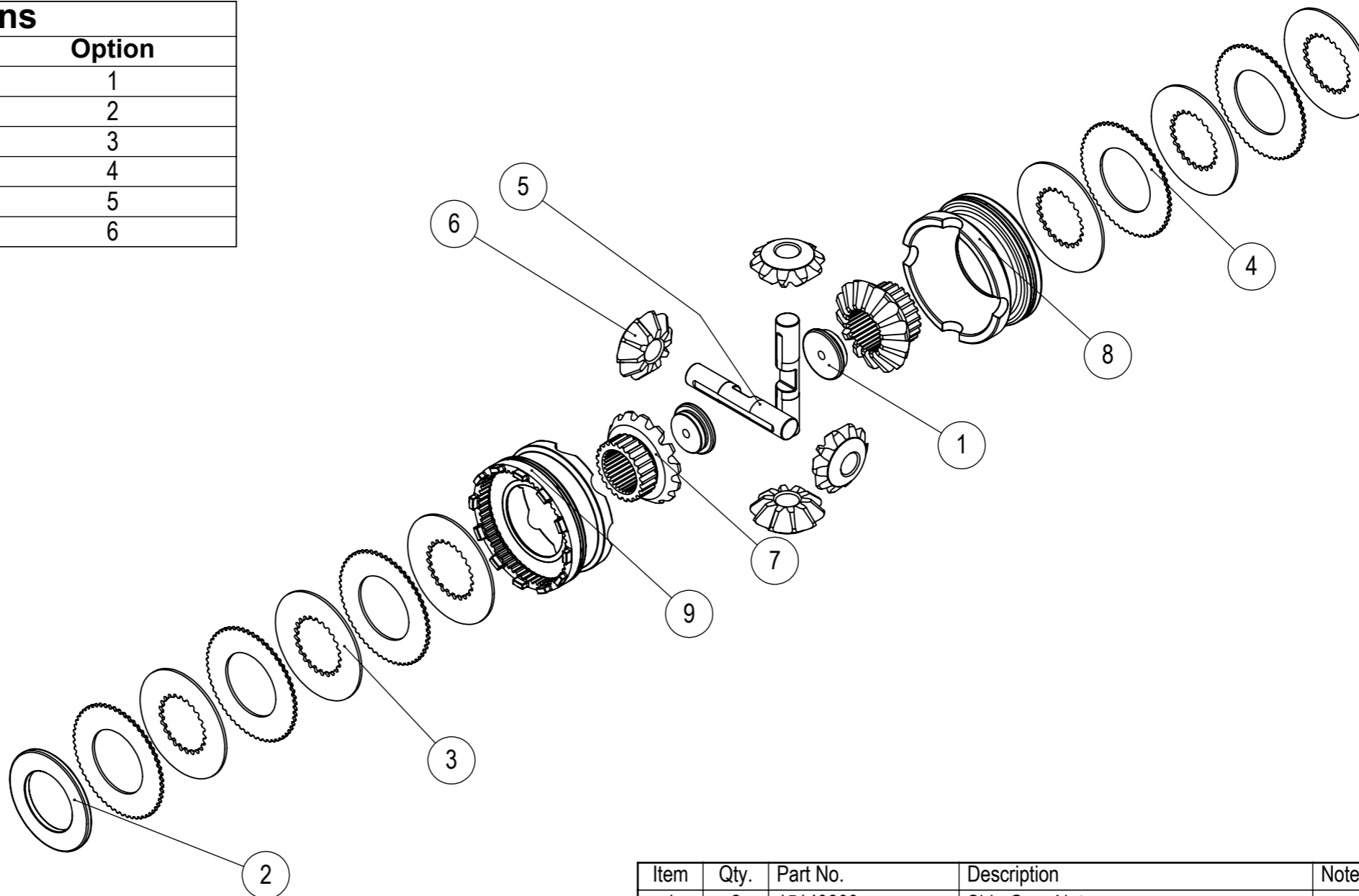
SD Diff Pre load options

Belleville	Spacer	Approx Nm
No	16243100	0
328052155	16020700	75
328052165	16020700	90
328052175	16020700	120
328052180	16020700	140

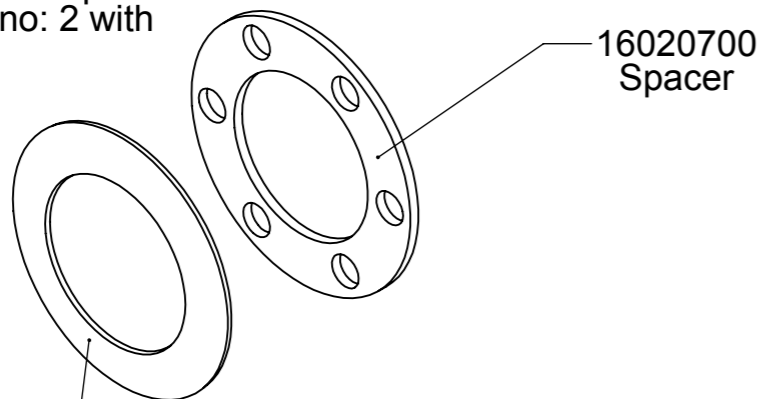
SD Diff ramp options

Ramp	Setting	Option
57500100	30/30	1
57500100	45/45	2
57500700	30/80	3
57500700	40/80	4
57501200	55/55	5
57501200	65/65	6

Rev.	Note	Date	Rev. By	Appr. By
A	New Document	2018-01-30	JG	JG



With preload option
Replace no: 2 with



Item	Qty.	Part No.	Description	Note
1	2	15140800	Side Gear Nut	
2	1	16243100	Axial Washer	SD90 Diff
3	6	27010100	Friction disc, Molybdenum coated	
4	5	27020300	Diffplate, 56T, 2.0 mm	
5	2	34050500	Cross Pin	
6	4	35380200	Planetary Gear	Differential
7	2	35400500	Side gear, SD90 34mm spline	
8	1	57500200	Side shell	L=45
9	1	57500700	Ramp asymmetric 30/80-40/80	

Material		Description Lsd package		
Geometric Tolerance	Sheet 1/1	Mass in Gram 4235	Dim.in mm	Note
TRACTIVE		Date 2018-01-30	Proj	Part Number
		Drawn by JT	Designed by JT	Scale 1:4
				Revision A5700021 A

Approved

Model: A5700021 Rev. A

Tractive AB
Gjutargatan 54 S-781 70 Borlänge
Tel +46 243 22 11 55 www.tractive.se

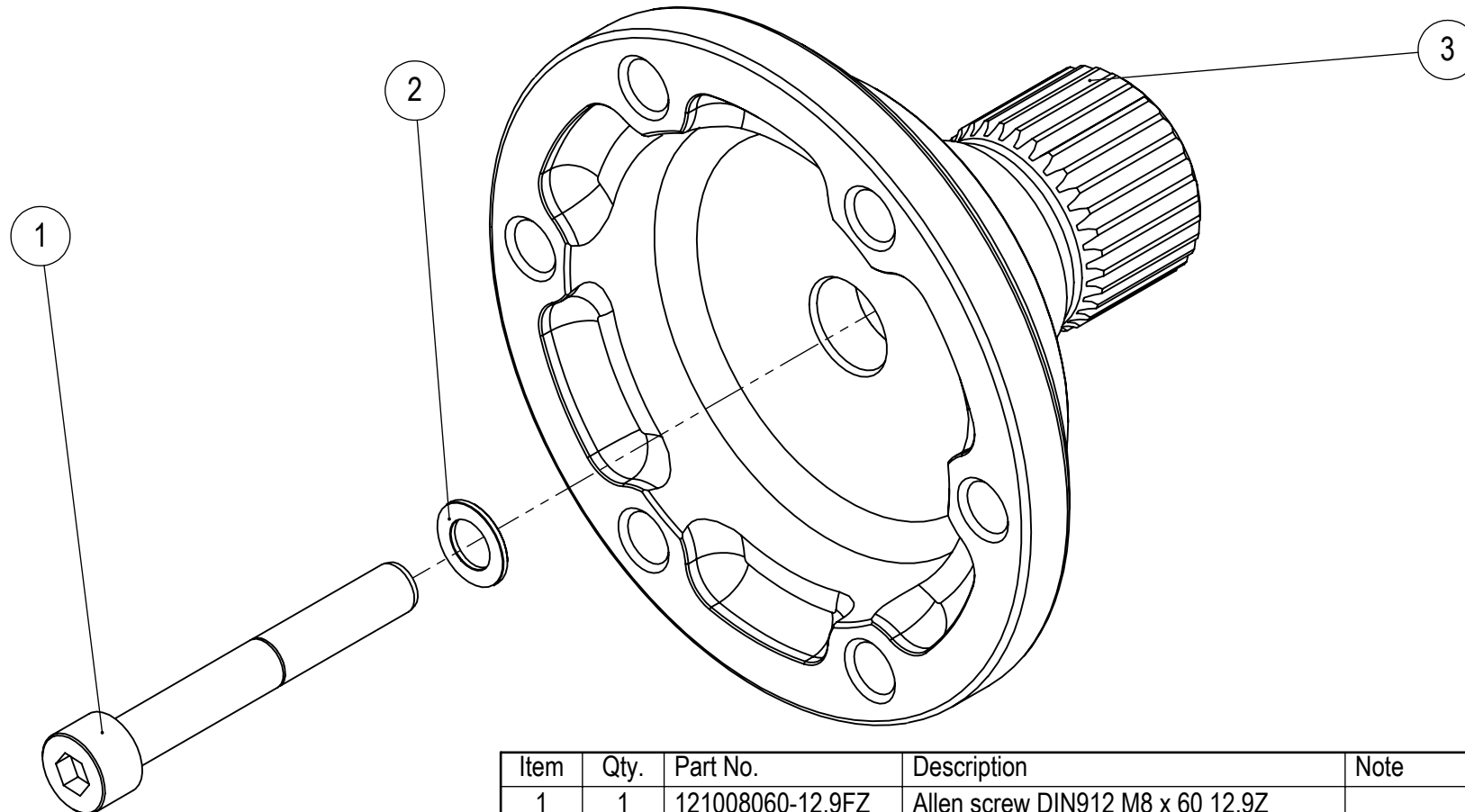
This drawing is the property of Tractive AB. Its submission does not include or carry the right to make, use or sell what is illustrated without the written consent of Tractive AB.

This drawing is the property of Tractive AB. Its submission does not include or carry the right to make, use or sell what is illustrated without the written consent of Tractive AB.

Tractive AB
Gjutargatan 54 S-781 70 Borlänge
Tel +46 243 22 11 55 www.tractive.se

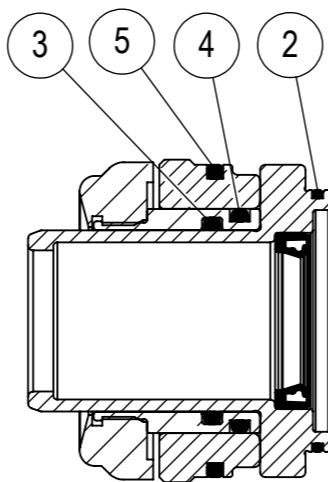
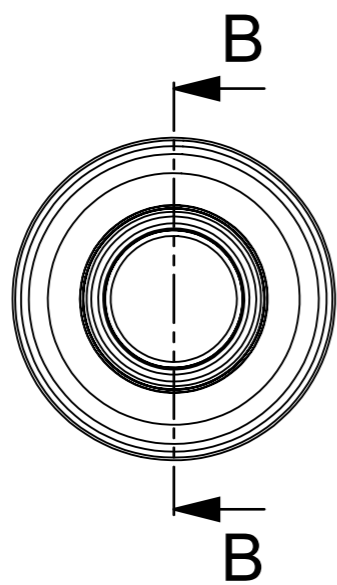
Approved

Rev.	Note	Date	Rev. By	Appr. By
A	Updated after migration	2018-01-29	JT	JG

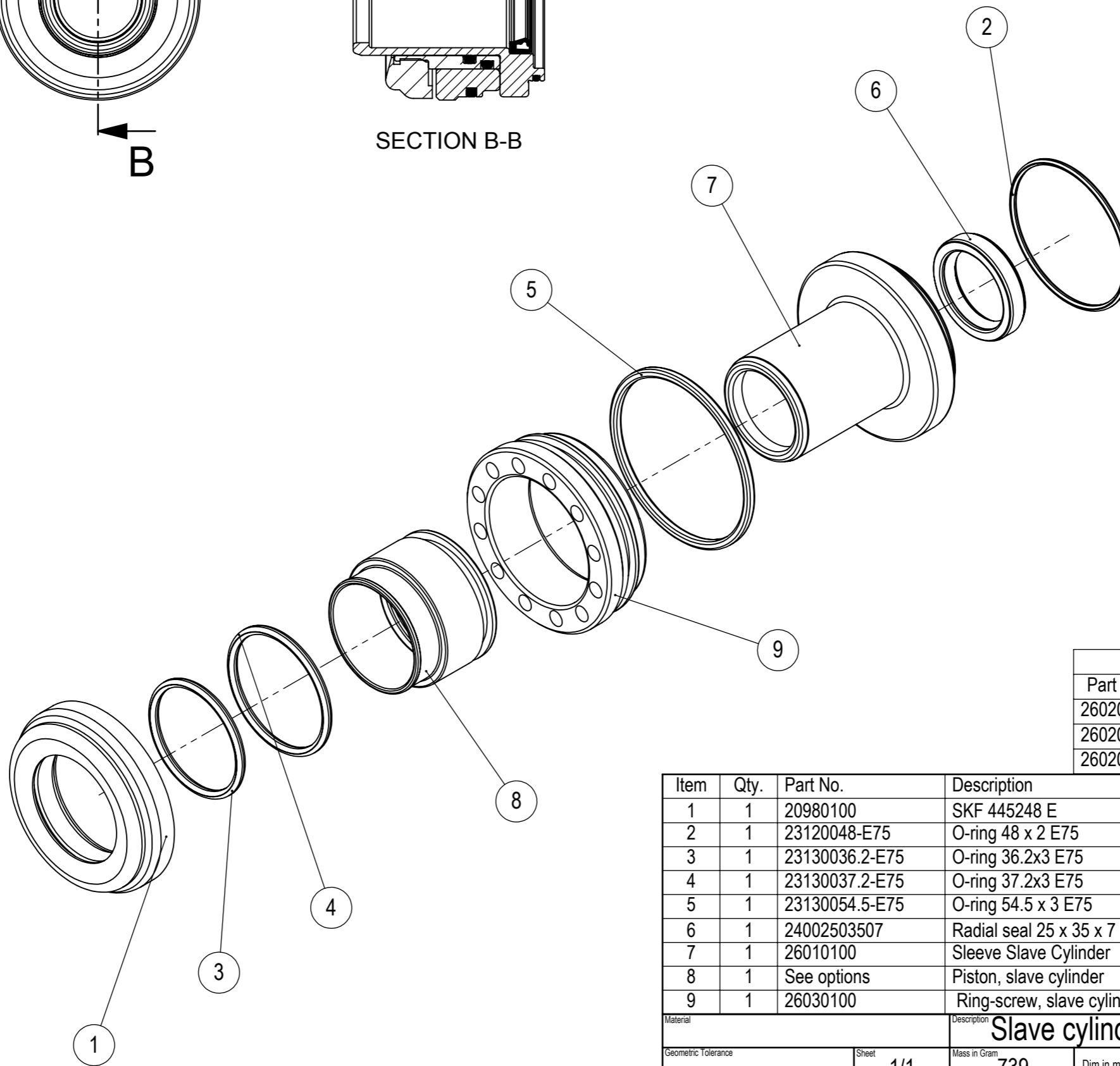


Item	Qty.	Part No.	Description	Note
1	1	121008060-12.9FZ	Allen screw DIN912 M8 x 60 12.9Z	
2	1	22110810	Support ring 8 x 14 x 1	
3	1	39060600	Output flange SD90 diff 34 mm shaft	
Material			Description Driveshaft SD assembly	
Geometric Tolerance		Sheet 1/1	Mass in Gram 1027	Dim.in mm
TRACTIVE			Date	Proj
			Part Number	Revision
			Drawn by	Designed by JT
			Scale 1:1	
				A3900001
				A

Rev.	Note	Date	Rev. By	Appr. By
A	Updated after migration	2018-01-29	JT	JG



SECTION B-B



SD slave cylinder piston options		
Part No.	Description	Note
26020300	Piston, Slave cylinder L=43	Golf std
26020400	Piston, Slave cylinder L=78	Corolla std
26020500	Piston, Slave cylinder L=33	Corsa std

Item	Qty.	Part No.	Description	Note
1	1	20980100	SKF 445248 E	
2	1	23120048-E75	O-ring 48 x 2 E75	
3	1	23130036.2-E75	O-ring 36.2x3 E75	
4	1	23130037.2-E75	O-ring 37.2x3 E75	
5	1	23130054.5-E75	O-ring 54.5 x 3 E75	
6	1	24002503507	Radial seal 25 x 35 x 7	
7	1	26010100	Sleeve Slave Cylinder	
8	1	See options	Piston, slave cylinder	
9	1	26030100	Ring-screw, slave cylinder	

Material		Description		Slave cylinder assembly SD	
Geometric Tolerance	Sheet 1/1	Mass in Gram 739	Dim.in mm	Note	
TRACTIVE		Date	Proj	Part Number	Revision
		Drawn by	Designed by JT	Scale 1:1.5	A2600001 A

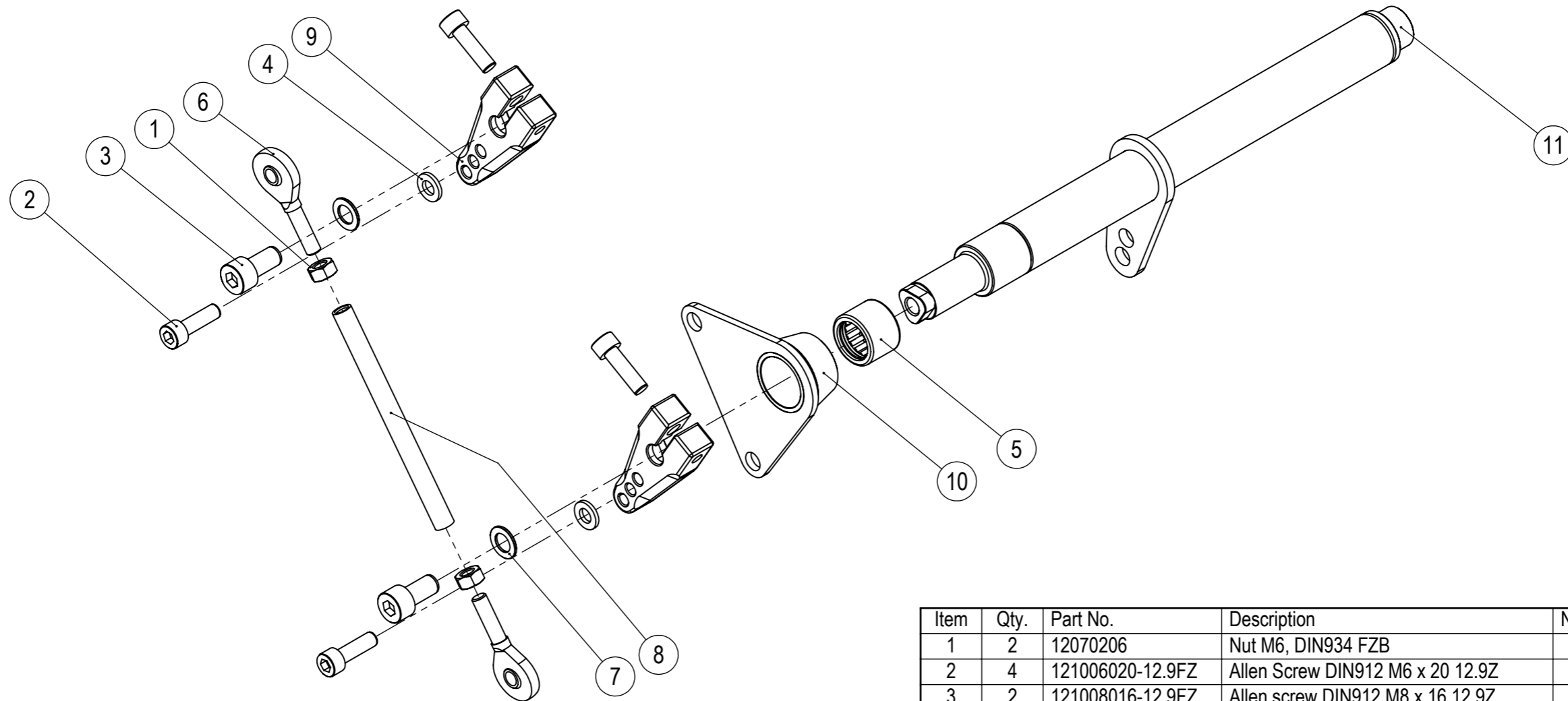
Approved

Model: A2600001 Rev. A

Tractive AB
Gjutargatan 54 S-781 70 Borlänge
Tel +46 243 22 11 55 www.tractive.se

This drawing is the property of Tractive AB. Its submission does not include or carry the right to make, use or sell what is illustrated without the written consent of Tractive AB.

Rev.	Note	Date	Rev. By	Appr. By
A	New Document	2018-01-30	JG	JG



Item	Qty.	Part No.	Description	Note
1	2	12070206	Nut M6, DIN934 FZB	
2	4	121006020-12.9FZ	Allen Screw DIN912 M6 x 20 12.9Z	
3	2	121008016-12.9FZ	Allen screw DIN912 M8 x 16 12.9Z	
4	2	16400600	Plain washer 6.4 x 12 /M6	
5	1	20491616	Needle roller bearing	
6	2	20901006	Uniball M6	
7	2	22110810	Support ring 8 x 14 x 1	
8	1	59180100	Link Rod, SD90, Corolla Corsa	
9	2	59381000	Gear lever, SD Corsa	
10	1	59390501	Bracket shiftaxle SD	
11	1	59880101	SD Linkage tube L=200	

Material		Description SD905 linkage		
Geometric Tolerance	Sheet 1/1	Mass in Gram 579	Dim.in mm	Note Center mounted
TRACTIVE		Date 2018-01-30	Proj	Part Number A5900004
		Drawn by JT	Designed by JT	
				Revision A

Approved

Model: A5900004 Rev. A

Tractive AB
Gjutargatan 54 S-781 70 Borlänge
Tel +46 243 22 11 55 www.tractive.se

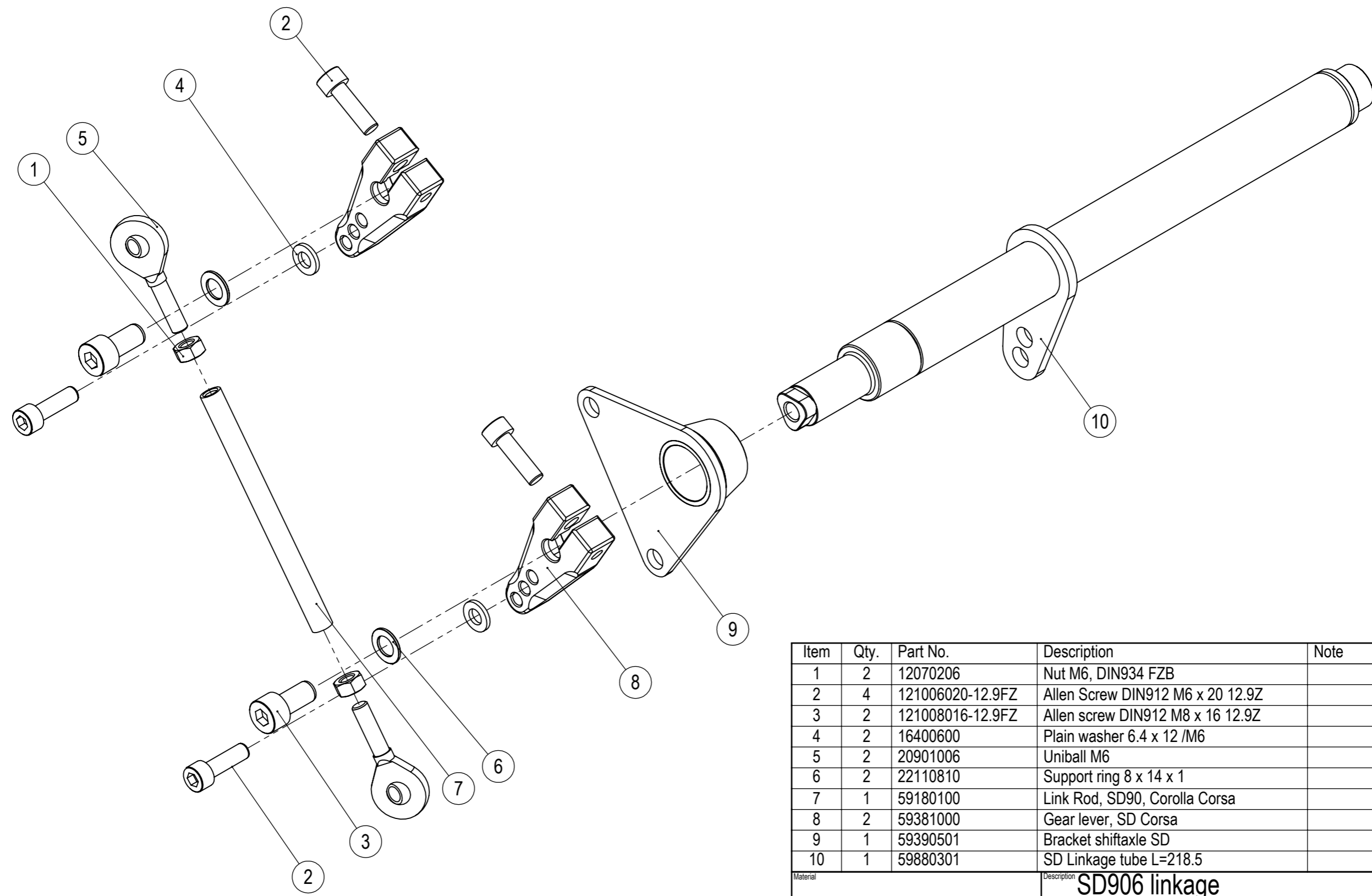
This drawing is the property of Tractive AB. Its submission does not include or carry the right to make, use or sell what is illustrated without the written consent of Tractive AB.

Rev.	Note	Date	Rev. By	Appr. By
A	New Document	2018-02-02	JG	JG

Model: A590009 Rev. A
Approved

Tractive AB
Gjutargatan 54 S-781 70 Borlänge
Tel +46 243 22 11 55 www.tractive.se

This drawing is the property of Tractive AB. Its submission does not include or carry the right to make, use or sell what is illustrated without the written consent of Tractive AB.



Item	Qty.	Part No.	Description	Note
1	2	12070206	Nut M6, DIN934 FZB	
2	4	121006020-12.9FZ	Allen Screw DIN912 M6 x 20 12.9Z	
3	2	121008016-12.9FZ	Allen screw DIN912 M8 x 16 12.9Z	
4	2	16400600	Plain washer 6.4 x 12 /M6	
5	2	20901006	Uniball M6	
6	2	22110810	Support ring 8 x 14 x 1	
7	1	59180100	Link Rod, SD90, Corolla Corsa	
8	2	59381000	Gear lever, SD Corsa	
9	1	59390501	Bracket shiftaxle SD	
10	1	59880301	SD Linkage tube L=218.5	

Material		Description SD906 linkage		
Geometric Tolerance	Sheet 1/1	Mass in Gram 588	Dim.in mm	Note Center mounted
TRACTIVE		Date 2018-02-02	Proj	Part Number A5900009
		Drawn by JT	Designed by JT	
				Revision A