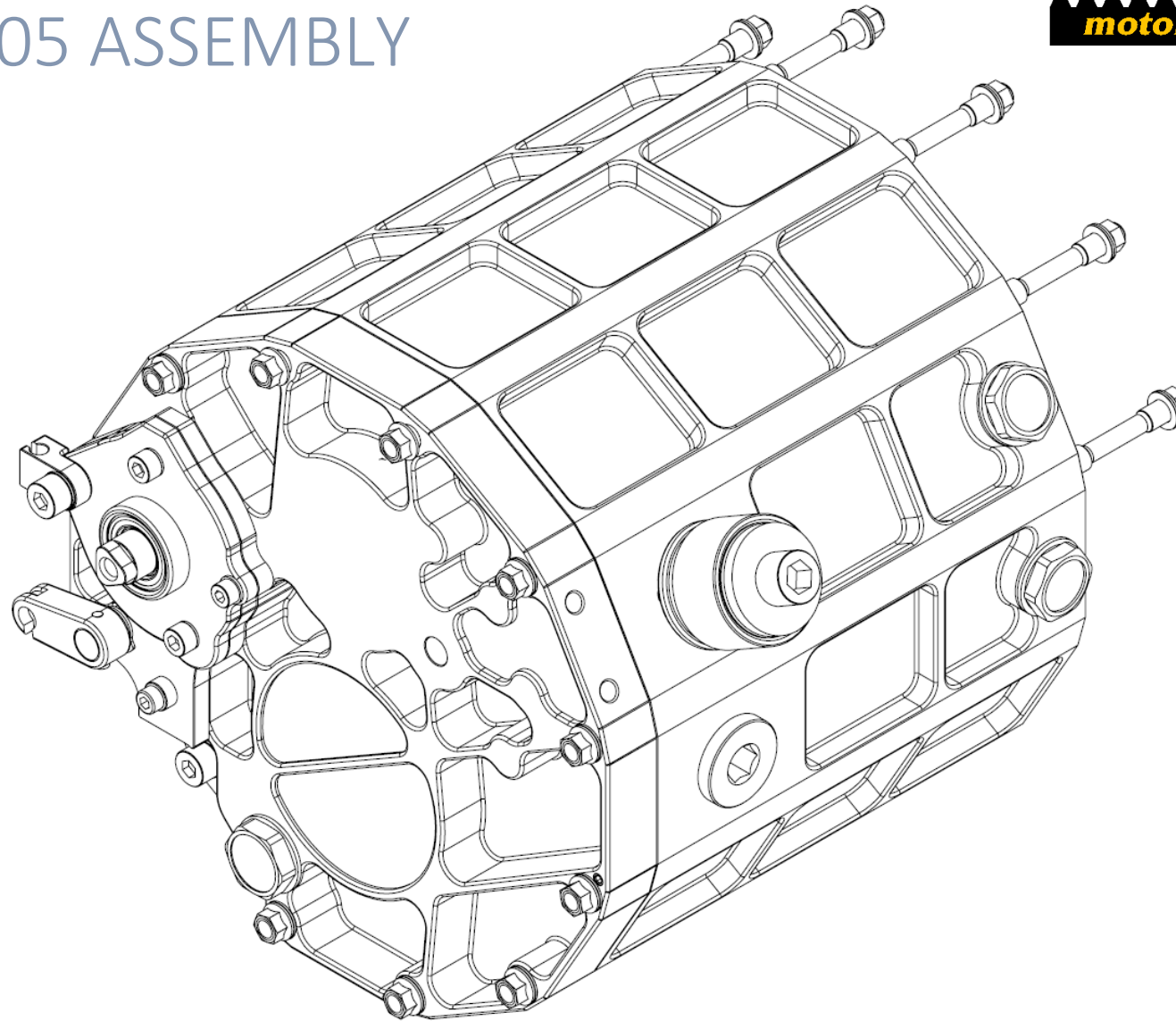




SD905 ASSEMBLY



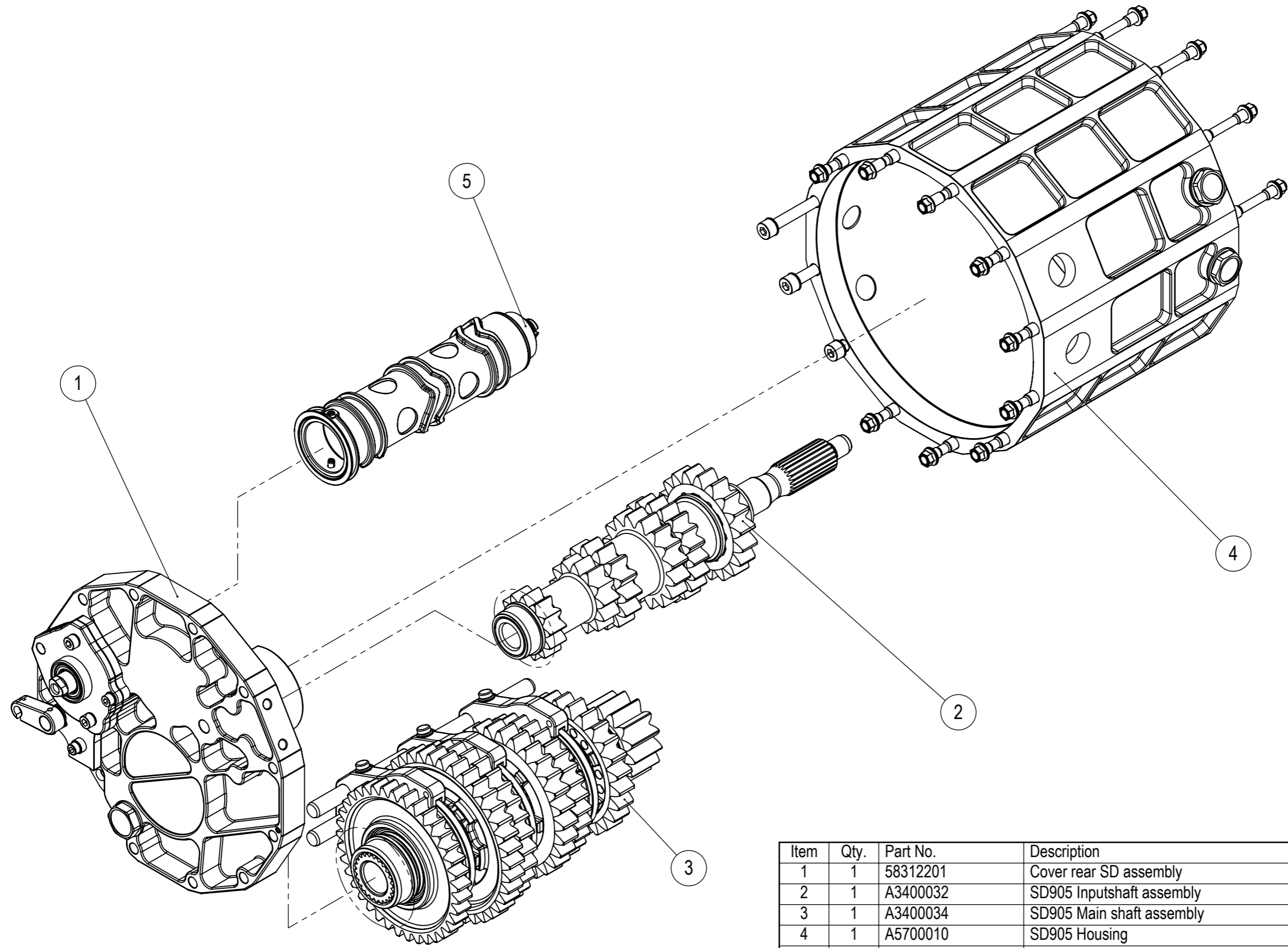


SD 905

TABLE OF CONTENTS

1. SD 905 assembly (Drawing no. A5700022)
2. Cover rear SD assembly (Drawing no. 58312201)
3. Reverse release axle, SD assembly (Drawing no. 59101001)
4. Detent Plunger assembly (Drawing no. 59210201)
5. SD905 Inputshaft assembly (Drawing no. A3400032)
6. SD905 Main shaft assembly (Drawing no. A3400034)
7. SD905 Housing assembly (Drawing no. A5700010)
8. SD Mount assembly (Drawing no. A2600002)
9. SD905 Selectorbarrel assembly (Drawing no. A5900005)
10. Gear lever assembly SD (Drawing no. A5900017)
11. Gear lever SD complete (Drawing no. 59400401)
12. Unlock lever (Drawing no. 59381101)
13. Unlock cable (Drawing no. A5300006)
14. Unlock cable optional (Drawing no. A5300007)
15. Weld plate options (Drawing no. A5900020)

Rev.	Note	Date	Rev. By	Appr. By
A	New Document	2018-01-30	JG	JG



Item	Qty.	Part No.	Description	Note
1	1	58312201	Cover rear SD assembly	
2	1	A3400032	SD905 Inputshaft assembly	
3	1	A3400034	SD905 Main shaft assembly	
4	1	A5700010	SD905 Housing	
5	1	A5900005	SD905 Selectorbarrel assembly	

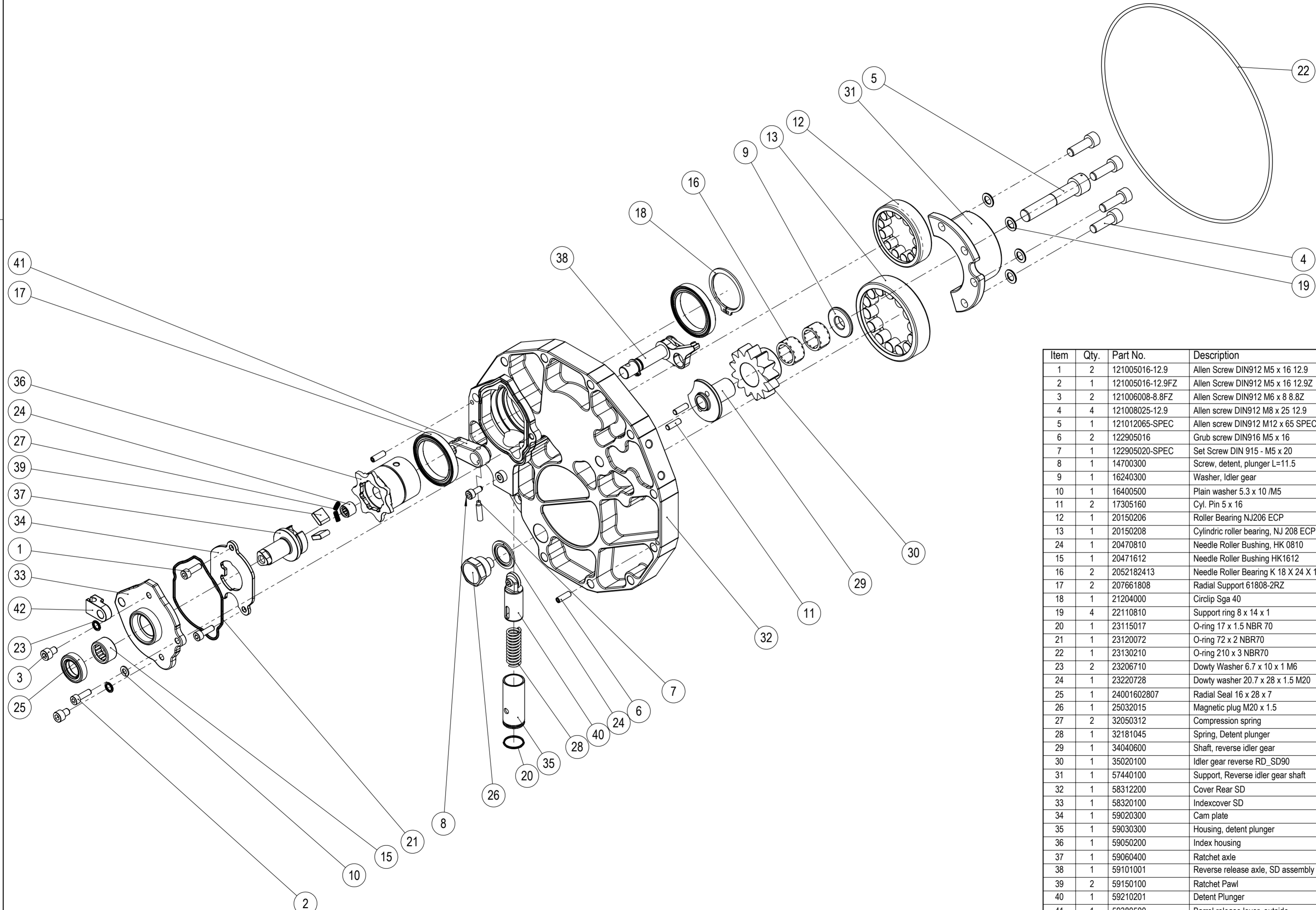
Material		Description SD 905 assembly		
Geometric Tolerance	Sheet 1/1	Mass in Gram 20819	Dim.in mm	Note
TRACTIVE		Date 2018-01-30	Proj	Part Number
		Drawn by JT	Designed by JT	Scale 1:3
				Revision A5700022 A

Approved

Tractive AB
 Gjutargatan 54 S-781 70 Borlänge
 Tel +46 243 22 11 55 www.tractive.se

This drawing is the property of Tractive AB. Its submission does not include or carry the right to make, use or sell what is illustrated without the written consent of Tractive AB.

Rev.	Note	Date	Rev. By	Appr. By
A	New Document	2018-01-08	JG	JG



Item	Qty.	Part No.	Description	Note
1	2	121005016-12.9	Allen Screw DIN912 M5 x 16 12.9	
2	1	121005016-12.9FZ	Allen Screw DIN912 M5 x 16 12.9Z	
3	2	121006008-8.8FZ	Allen Screw DIN912 M6 x 8 8.8Z	
4	4	121008025-12.9	Allen screw DIN912 M8 x 25 12.9	
5	1	121012065-SPEC	Allen screw DIN912 M12 x 65 SPEC	
6	2	122905016	Grub screw DIN916 M5 x 16	
7	1	122905020-SPEC	Set Screw DIN 915 - M5 x 20	
8	1	14700300	Screw, detent, plunger L=11.5	
9	1	16240300	Washer, Idler gear	
10	1	16400500	Plain washer 5.3 x 10 /M5	
11	2	17305160	Cyl. Pin 5 x 16	
12	1	20150206	Roller Bearing NJ206 ECP	
13	1	20150208	Cylindric roller bearing, NJ 208 ECP	
24	1	20470810	Needle Roller Bushing, HK 0810	
15	1	20471612	Needle Roller Bushing HK1612	
16	2	2052182413	Needle Roller Bearing K 18 X 24 X 13	
17	2	207661808	Radial Support 61808-2RZ	
18	1	21204000	Circlip Sga 40	DIN 471 - 40 x 1.75
19	4	22110810	Support ring 8 x 14 x 1	
20	1	23115017	O-ring 17 x 1.5 NBR 70	
21	1	23120072	O-ring 72 x 2 NBR70	
22	1	23130210	O-ring 210 x 3 NBR70	
23	2	23206710	Dowty Washer 6.7 x 10 x 1 M6	
24	1	23220728	Dowty washer 20.7 x 28 x 1.5 M20	
25	1	24001602807	Radial Seal 16 x 28 x 7	
26	1	25032015	Magnetic plug M20 x 1.5	
27	2	32050312	Compression spring	
28	1	32181045	Spring, Detent plunger	
29	1	34040600	Shaft, reverse idler gear	
30	1	35020100	Idler gear reverse RD_SD90	
31	1	57440100	Support, Reverse idler gear shaft	
32	1	58312200	Cover Rear SD	
33	1	58320100	Indexcover SD	
34	1	59020300	Cam plate	
35	1	59030300	Housing, detent plunger	
36	1	59050200	Index housing	
37	1	59060400	Ratchet axle	
38	1	59101001	Reverse release axle, SD assembly	
39	2	59150100	Ratchet Pawl	
40	1	59210201	Detent Plunger	
41	1	59380500	Barrel release lever, outside	
42	1	59630200	Wire bracket SD90	

Cover rear SD assembly

Geometric Tolerance	Sheet 1/1	Mass in Gram 3202	Dim.in mm	Note
		Date 2017-12-27	Part Number	Revision
Drawn by JT	Designed by JT	Scale 1:2.5		58312201 A

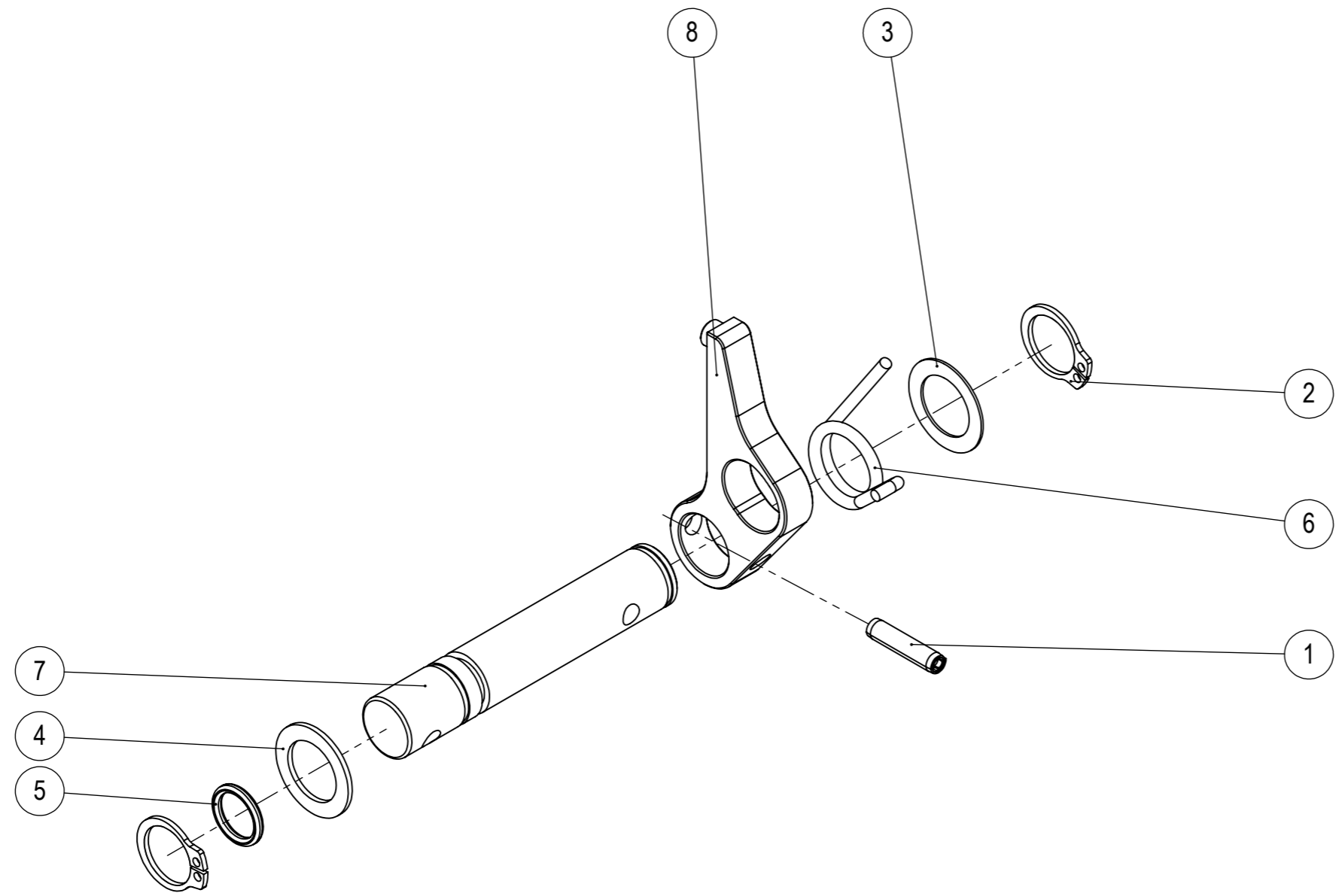
Approved

Model 58312201 Rev. A

Tractive AB
Göteborgsregionen
Tel: +46 243 22 11 55 www.tractive.se

This drawing is the property of Tractive AB. Its submission does not include or carry the right to make, use or sell what is illustrated without the written consent of Tractive AB.

Rev.	Note	Date	Rev. By	Appr. By
A	New Document	2018-01-03	JH	JH



Item	Qty.	Part No.	Description	Note
1	1	17504160	Roll pin 4 x 16	
2	2	21201200	Circlip Sga 12 DIN 471 - 12 x 1	
3	1	22111205	Support ring 12 x 18 x 0.5 Fzb	
4	1	22111210	Support ring 12 x 18 x 1	
5	1	23115009	O-ring 9 x 1.5 NBR 70	
6	1	32080500	Spring, release mech	
7	1	59101000	Reverse release axle, SD	, int spring
8	1	59150500	Pawl, barrel release mech	

Material		Description Reverse release axle, SD assembly		
Geometric Tolerance	Sheet 1/1	Mass in Gram 90	Dim.in mm	Note
TRACTIVE		Date 2017-12-27	Proj	Part Number
		Drawn by JT	Designed by JT	Scale 1:1
				Revision 59101001 A

Model: 59101001 Rev. A
Approved

Tractive AB
 Gjutargatan 54 S-781 70 Borlänge
 Tel +46 243 22 11 55 www.tractive.se

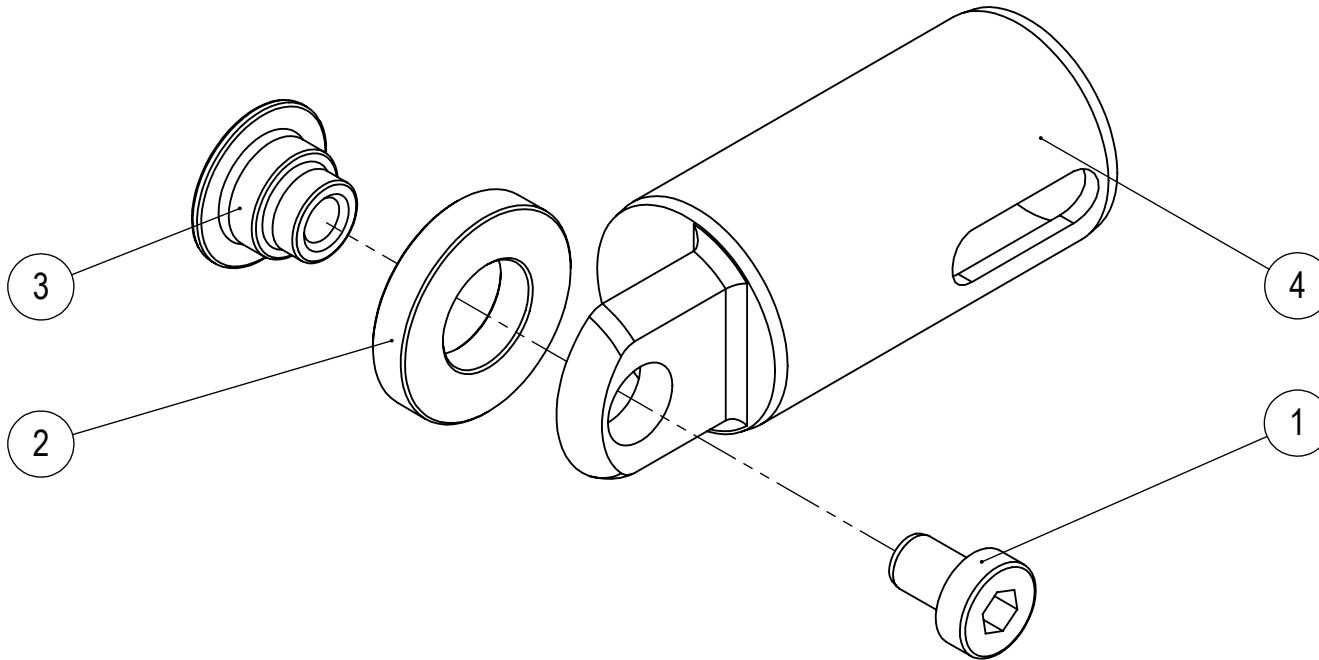
This drawing is the property of Tractive AB. Its submission does not include or carry the right to make, use or sell what is illustrated without the written consent of Tractive AB.

This drawing is the property of Tractive AB. Its submission does not include or carry the right to make, use or sell what is illustrated without the written consent of Tractive AB.

Tractive AB
Gjutargatan 54 S-781 70 Borlänge
Tel +46 243 22 11 55 www.tractive.se

Approved

Rev.	Note	Date	Rev. By	Appr. By
A	New Document	2018-01-09	JG	JG



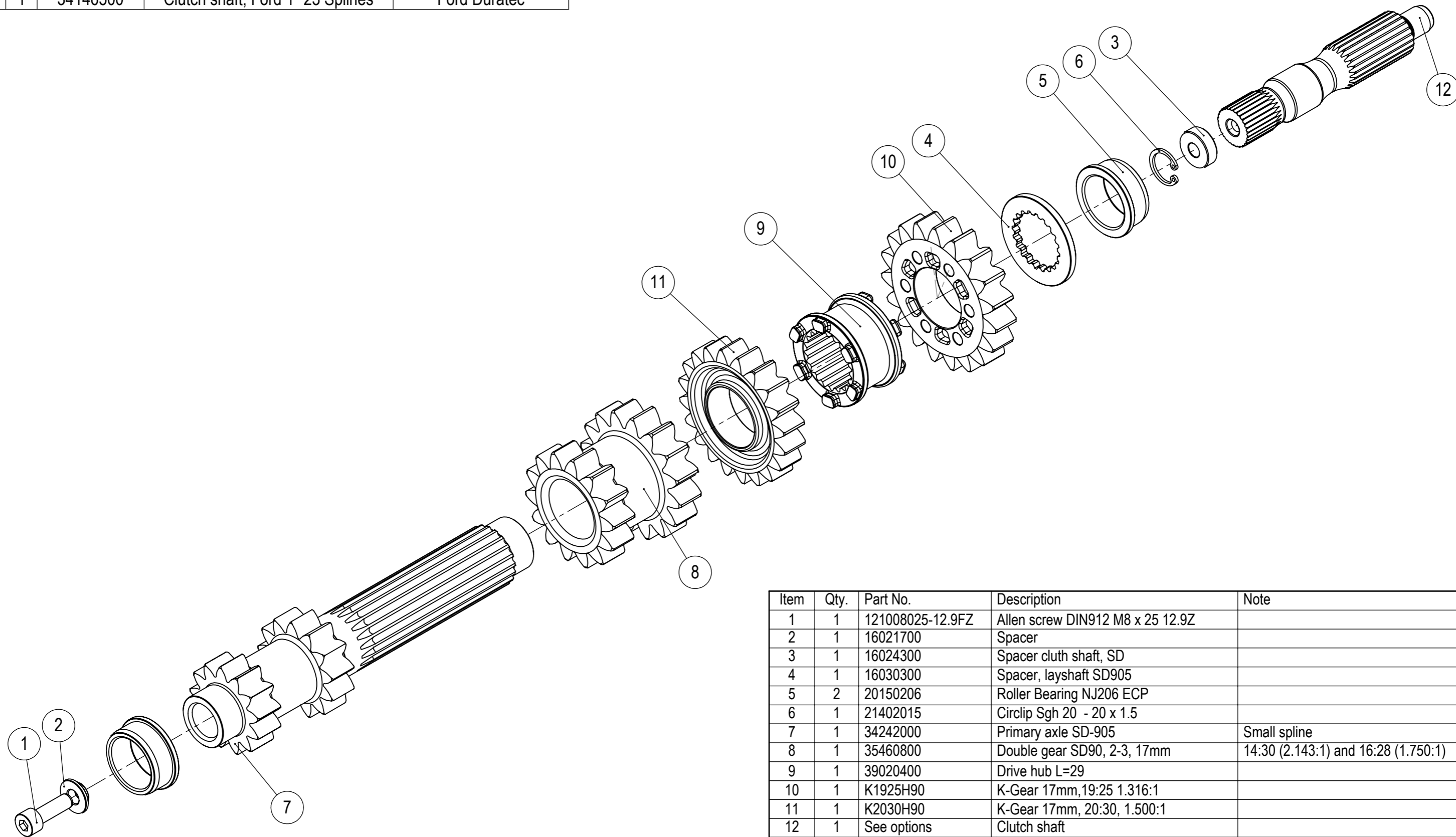
Item	Qty.	Part No.	Description	Note
1	1	121204006-8.8FZ	Allen screw DIN912 M4 x 8 8.8Z Low head	
2	1	20090100	Roller, detent plunger	
3	1	34020400	Bearing, detent roller	
4	1	59210200	Detent plunger	

Material		Description Detent Plunger		
Geometric Tolerance	Sheet 1/1	Mass in Gram 27	Dim.in mm	Note
TRACTIVE		Date 2017-12-29	Proj	Part Number
		Drawn by JT	Designed by JT	Scale 2:1
				Revision 59210201 A

Clutch shaft options

Item	Qty.	Part No.	Description	Note
12	1	34141200	Clutch shaft, Ford 1" 23 Splines	Toyota Corolla
12	1	34141700	Clutch shaft, Ford 1" 23 Splines	Opel Corsa
12	1	34143700	Clutch shaft, Ford 1" 23 Splines	Nissan Sunny
12	1	34144800	Clutch shaft, Ford 1" 23 Splines	VW Golf
12	1	34146400	Clutch shaft, Ford 1" 23 Splines	Toyota 4EFTE
12	1	34146500	Clutch shaft, Ford 1" 23 Splines	Ford Duratec

Rev.	Note	Date	Rev. By	Appr. By
A	New Document	2018-01-29	JG	JG



Item	Qty.	Part No.	Description	Note
1	1	121008025-12.9FZ	Allen screw DIN912 M8 x 25 12.9Z	
2	1	16021700	Spacer	
3	1	16024300	Spacer cluth shaft, SD	
4	1	16030300	Spacer, layshaft SD905	
5	2	20150206	Roller Bearing NJ206 ECP	
6	1	21402015	Circlip Sgh 20 - 20 x 1.5	
7	1	34242000	Primary axle SD-905	Small spline
8	1	35460800	Double gear SD90, 2-3, 17mm	14:30 (2.143:1) and 16:28 (1.750:1)
9	1	39020400	Drive hub L=29	
10	1	K1925H90	K-Gear 17mm,19:25 1.316:1	
11	1	K2030H90	K-Gear 17mm, 20:30, 1.500:1	
12	1	See options	Clutch shaft	

Material		Description	
		SD905 Inputshaft assembly	
Geometric Tolerance	Sheet	Mass in Gram	Dim.in mm
	1/1	3528	
Date		Proj	Part Number
2018-01-29			A3400032
Drawn by		Designed by	Scale
JT		JT	1:2
Revision			
			A

TRACTIVE

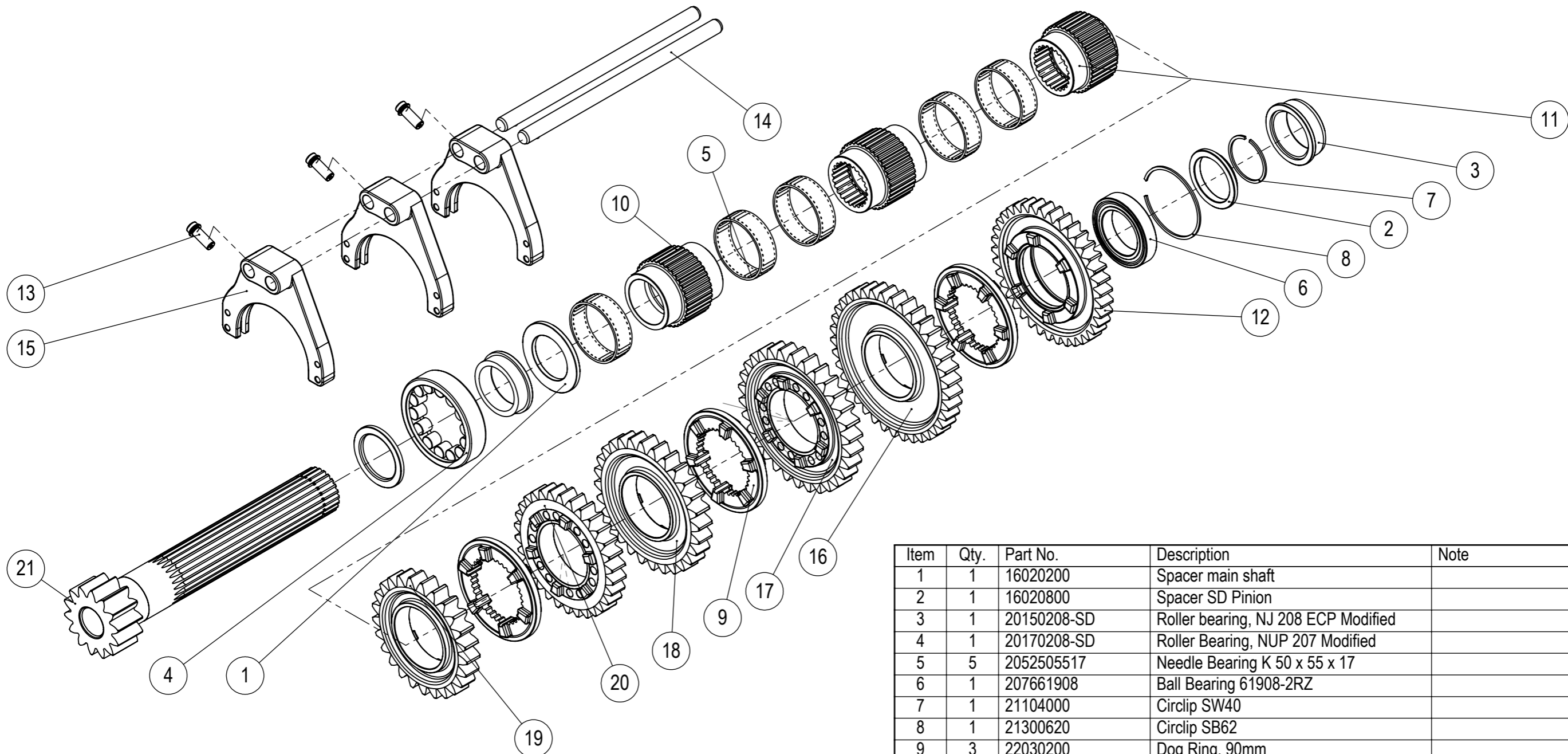
Approved

Model: A3400032 Rev. A

Tractive AB
Gjutargatan 54 S-781 70 Borlänge
Tel +46 243 22 11 55 www.tractive.se

This drawing is the property of Tractive AB. Its submission does not include or carry the right to make, use or sell what is illustrated without the written consent of Tractive AB.

Rev.	Note	Date	Rev. By	Appr. By
A	New Document	2018-01-29	JG	JG



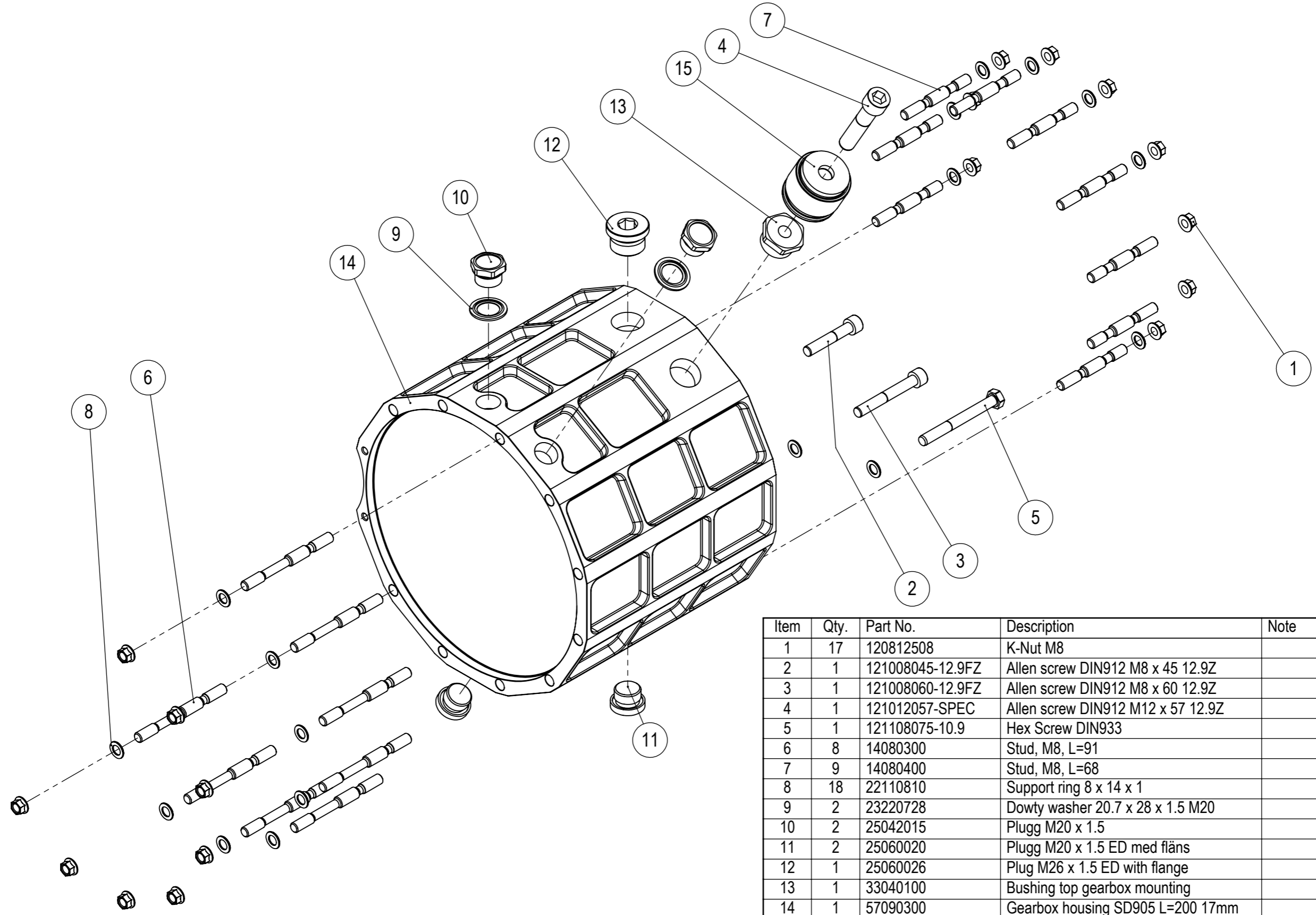
Pinion options SD905

Pinion	Teeth	Ring gear	Teeth	Ratio to 1
34253600	14	35412200	54	3,86
=	14	35412300	55	3,93
=	14	35412400	56	4
34254800	13	35412200	54	4,15
=	13	35412300	55	4,23
=	13	35412400	56	4,31
34255000	11	35410800	50	4,54
34255100	12	35411500	57	4,75
34254100	11	35411600	57	5,18

Item	Qty.	Part No.	Description	Note
1	1	16020200	Spacer main shaft	
2	1	16020800	Spacer SD Pinion	
3	1	20150208-SD	Roller bearing, NJ 208 ECP Modified	
4	1	20170208-SD	Roller Bearing, NUP 207 Modified	
5	5	2052505517	Needle Bearing K 50 x 55 x 17	
6	1	207661908	Ball Bearing 61908-2RZ	
7	1	21104000	Circlip SW40	
8	1	21300620	Circlip SB62	
9	3	22030200	Dog Ring, 90mm	
10	2	26110200	Hub 17mm Gears	
11	1	26111400	Hub 1-R	
12	1	35030100	Reverse Gear	
13	3	59140100	Selector pin	
14	2	59260500	Selector rod, L=223.5,	SD905
15	3	59270400	Shift fork RD/SD90	monoblock, dog ring 90 mm,
16	1	A1337H90	A-gear, 17 mm, 13:37, 2.846:1	
17	1	A1430H90	A-gear, 17 mm, 14:30, 2.143:1	
18	1	A1628H90	A-Gear, 17mm, 16:28, 1.75:1	
19	1	A1925H90	A-gear, 17mm, 19:25, 1.444:1	A1925H90
20	1	A2030H90	A-gear, 17 mm, 20:30, 1.500:1	
21	1	See options	Pinion SD90	

Material		Description SD905 Main shaft assembly		
Geometric Tolerance	Sheet 1/1	Mass in Gram 10066	Dim.in mm	Note
TRACTIVE		Date 2018-01-29	Proj	Part Number
		Drawn by JT	Designed by JT	Scale 1:3.5
				Revision A3400034 A

Rev.	Note	Date	Rev. By	Appr. By
A	New Document	2018-01-30	JG	JG



Item	Qty.	Part No.	Description	Note
1	17	120812508	K-Nut M8	
2	1	121008045-12.9FZ	Allen screw DIN912 M8 x 45 12.9Z	
3	1	121008060-12.9FZ	Allen screw DIN912 M8 x 60 12.9Z	
4	1	121012057-SPEC	Allen screw DIN912 M12 x 57 12.9Z	
5	1	121108075-10.9	Hex Screw DIN933	
6	8	14080300	Stud, M8, L=91	
7	9	14080400	Stud, M8, L=68	
8	18	22110810	Support ring 8 x 14 x 1	
9	2	23220728	Dowty washer 20.7 x 28 x 1.5 M20	
10	2	25042015	Plugg M20 x 1.5	
11	2	25060020	Plugg M20 x 1.5 ED med fläns	
12	1	25060026	Plug M26 x 1.5 ED with flange	
13	1	33040100	Bushing top gearbox mounting	
14	1	57090300	Gearbox housing SD905 L=200 17mm	
15	1	A2600002	SD Mount Assembly	

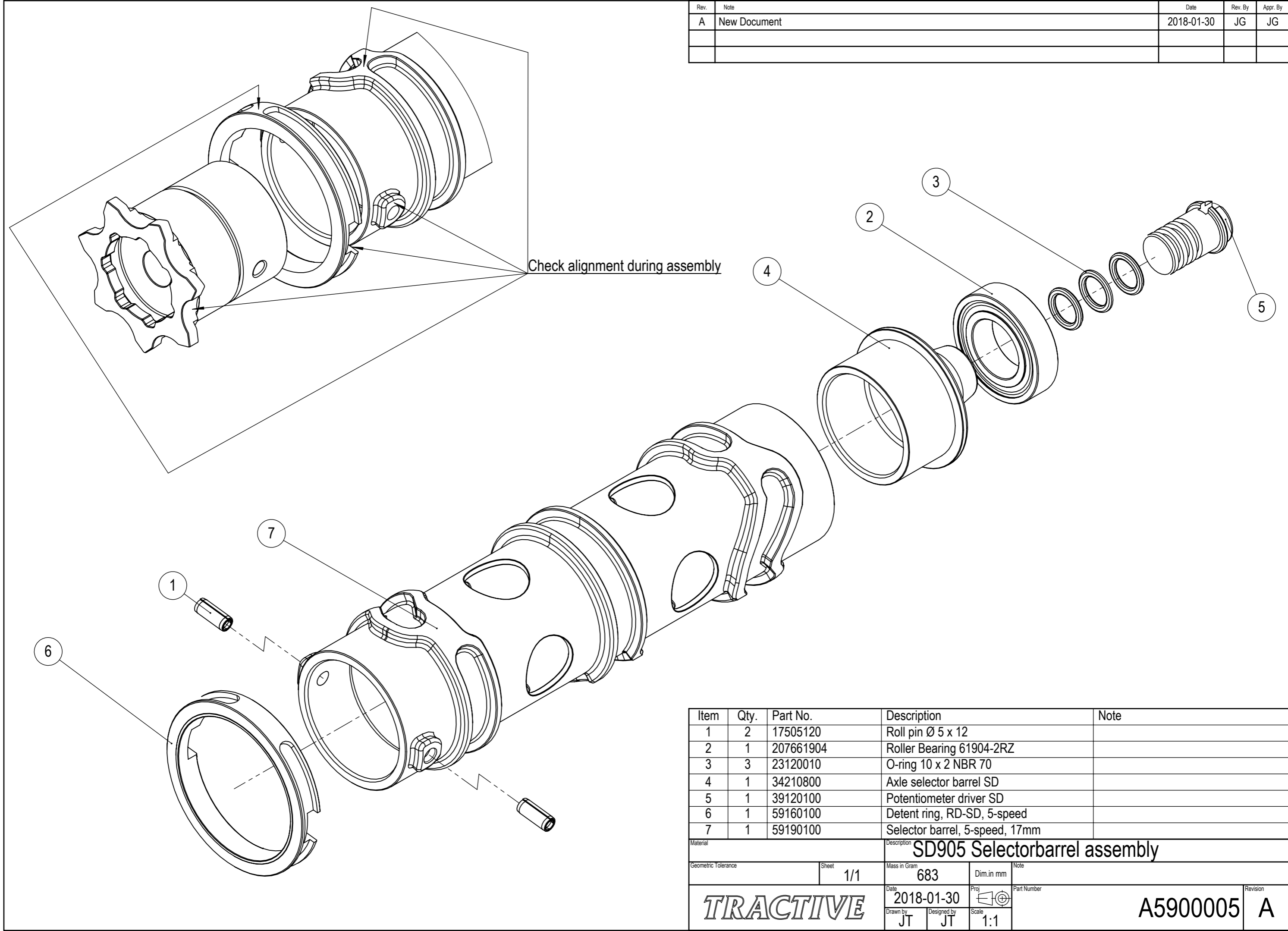
Material		Description SD905 Housing		
Geometric Tolerance	Sheet 1/1	Mass in Gram 4025	Dim.in mm	Note
TRACTIVE		Date 2018-01-30	Proj	Part Number
		Drawn by JT	Designed by JT	Scale 1:3
				Revision A5700010 A

Rev.	Note	Date	Rev. By	Appr. By
A	New Document	2018-01-30	JG	JG

Approved

Tractive AB
Gjutargatan 54 S-781 70 Borlänge
Tel +46 243 22 11 55 www.tractive.se

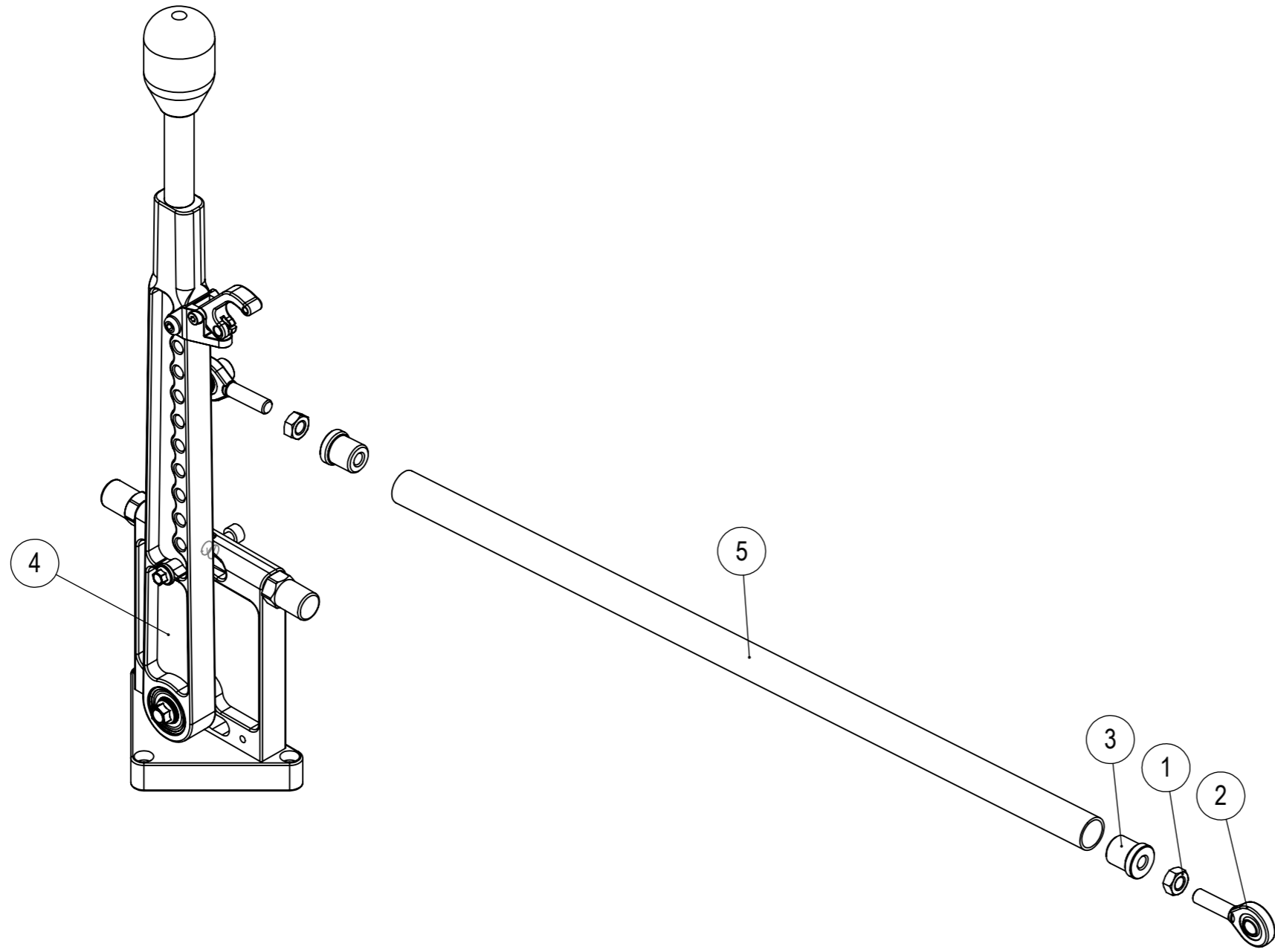
This drawing is the property of Tractive AB. Its submission does not include or carry the right to make, use or sell what is illustrated without the written consent of Tractive AB.



Item	Qty.	Part No.	Description	Note
1	2	17505120	Roll pin Ø 5 x 12	
2	1	207661904	Roller Bearing 61904-2RZ	
3	3	23120010	O-ring 10 x 2 NBR 70	
4	1	34210800	Axle selector barrel SD	
5	1	39120100	Potentiometer driver SD	
6	1	59160100	Detent ring, RD-SD, 5-speed	
7	1	59190100	Selector barrel, 5-speed, 17mm	

Material		Description SD905 Selectorbarrel assembly		
Geometric Tolerance	Sheet 1/1	Mass in Gram 683	Dim.in mm	Note
TRACTIVE		Date 2018-01-30	Proj	Part Number
		Drawn by JT	Designed by JT	Scale 1:1
				Revision A5900005

Rev.	Note	Date	Rev. By	Appr. By
A	New Document	2018-01-30	JG	JG



Approved

Model: A5900017 Rev. A

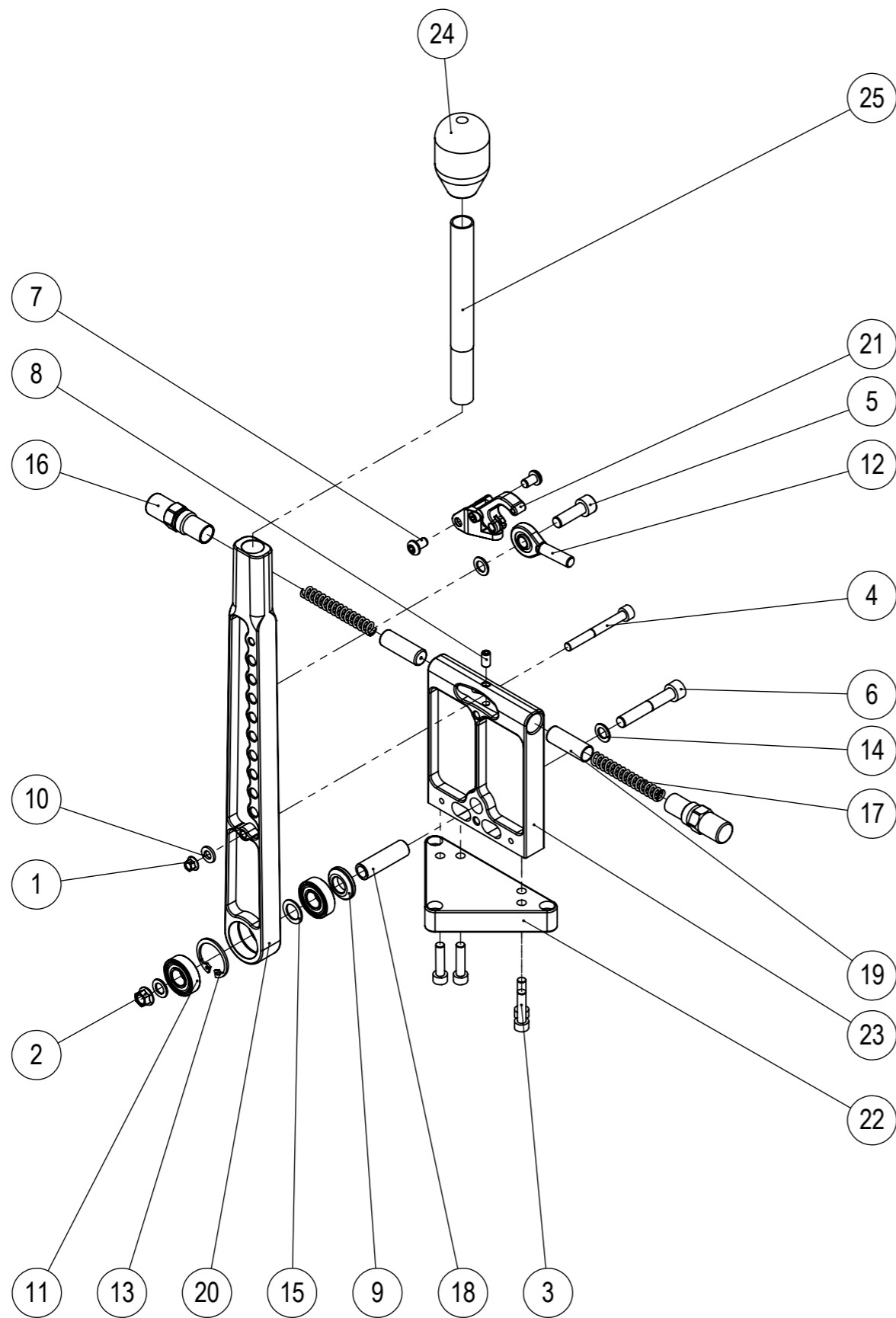
Tractive AB
Gjutargatan 54 S-781 70 Borlänge
Tel +46 243 22 11 55 www.tractive.se

This drawing is the property of Tractive AB. Its submission does not include or carry the right to make, use or sell what is illustrated without the written consent of Tractive AB.

Item	Qty.	Part No.	Description	Note
1	2	12070208	Nut M8, DIN934 FZB	
2	1	20901008	Rod end	SKF SA 8 E, External M8 thread
3	2	59101100	M8 Insert	
4	1	59400401	Gear lever SD Complete	
5	1	869103401300	Tube 3/4" x 0,058"	

Material		Description Gear level assembly SD		
Geometric Tolerance	Sheet 1/1	Mass in Gram 1481	Dim.in mm	Note
TRACTIVE		Date 2018-01-30	Proj	Part Number
		Drawn by JT	Designed by JT	Scale 1:3
				Revision A5900017 A

Rev.	Note	Date	Rev. By	Appr. By
A	New Document	2018-01-29	JG	JG



Item	Qty.	Part No.	Description	Note
1	1	120812506	K NUT M6	
2	1	120812508	K-Nut M8	
3	4	121006025-12.9FZ	Allen Screw DIN912 M6 x 25 12.9Z	
4	1	121006055-12.9	Allen Screw DIN912 M6 x 55 12.9	
5	1	121008025-12.9FZ	Allen screw DIN912 M8 x 25 12.9Z	
6	1	121008050-12.9FZ	Allen screw DIN912 M8 x 50 12.9Z	
7	2	121306010-10.9	Button Head allen screw DIN 7380	
8	1	122906012	Grub screw DIN916 M6 x 12	
9	1	16241900	Washer, gear lever	
10	1	16400600	Plain washer 6.4 x 12 /M6	
11	2	20756001	Radial Support Bearing, 6001-2RS1	
12	1	20901008	Rod end, SKF SA 8 E, External M8 thread	
13	1	21402815	Circlip, DIN 472 JS28 x 1.5 Heavy Duty	
14	3	22110810	Support ring 8 x 14 x 1	
15	1	22111210	Support ring 12 x 18 x 1	
16	2	26410100	Sleeve return plunger	Gear lever
17	2	32160865	Spring 1.6 x 8 x 65.5 ID6.4	
18	1	34220200	Axel gear shift lever RD/SD	Axel växelspak spakställ RD/SD
19	2	59210400	Plunger, gear lever	
20	1	59380700	Gear lever, cockpit	
21	1	59381101	Stop lever Complete	
22	1	59390300	Gear lever, bottom plate	
23	1	59390400	Gear lever vertical plate	
24	1	59410100	Knob, gear lever	
25	1	59590100	Tube, link rod SD L=150	

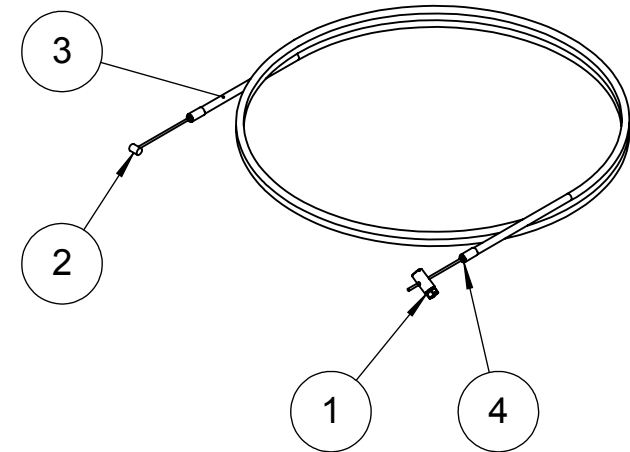
Material		Description		
		Gear lever SD Complete		
Geometric Tolerance	Sheet	Mass in Gram	Dim.in mm	Note
	1/1	1060		
TRACTIVE		Date	Proj	Part Number
		2018-01-29		59400401
Drawn by	Designed by	Scale	Revision	
JT	JT	1:4	A	

This drawing is the property of Tractive AB. Its submission does not include or carry the right to make, use or sell what is illustrated without the written consent of Tractive AB.

Tractive AB
 Gjutargatan 54 S-781 70 Borlänge
 Tel +46 243 22 11 55 www.tractive.se

DRAFT

Rev.	Note	Date	Rev. By	Appr. By



Item	Qty.	Part No.	Description	Note
1	1	43700100	Nipple	
2	1	53030200	Inner cable	
3	1	53030300	Outer cable 2 meter	
4	2	53030400	Cable end	

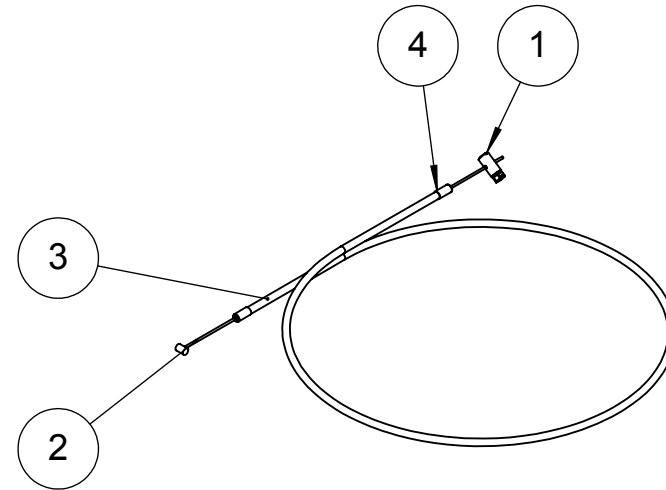
Material		Description		
Geometric Tolerance		Sheet 1/2	Mass in Gram 41	Dim.in mm
TRACTIVE		Date	Proj	Part Number
		Drawn by	Designed by JT	Scale 1:5
				Revision
				A5300006

This drawing is the property of Tractive AB. Its submission does not include or carry the right to make, use or sell what is illustrated without the written consent of Tractive AB.

Tractive AB
 Gjutargatan 54 S-781 70 Borlänge
 Tel +46 243 22 11 55 www.tractive.se

DRAFT

Rev.	Note	Date	Rev. By	Appr. By



Item	Qty.	Part No.	Description	Note
1	1	43700100	Nipple	
2	1	53030200	Inner cable	
3	1	53030300	Outer cable 1 meter	
4	2	53030400	Cable end	

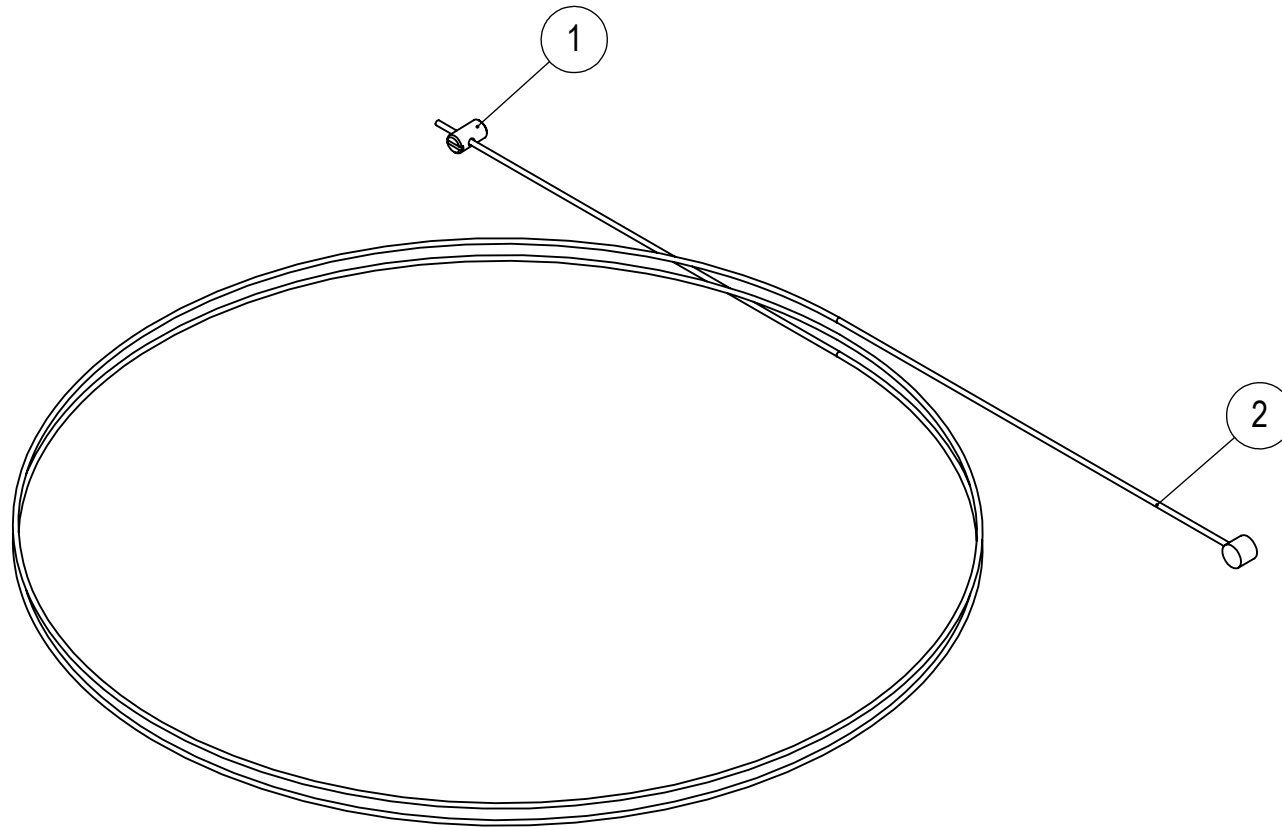
Material		Description		
Geometric Tolerance	Sheet 2/2	Mass in Gram 41	Dim.in mm	Note
TRACTIVE		Date	Proj	Part Number
		Drawn by	Designed by JT	Scale 1:5
				A5300006
				Revision

This drawing is the property of Tractive AB. Its submission does not include or carry the right to make, use or sell what is illustrated without the written consent of Tractive AB.

Tractive AB
 Giutargatan 54 S-781 70 Borlänge
 Tel +46 243 22 11 55 www.tractive.se

Draft

Rev.	Note	Date	Rev. By	Appr. By



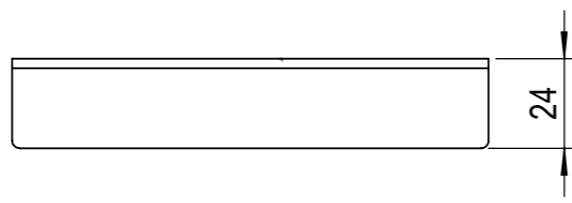
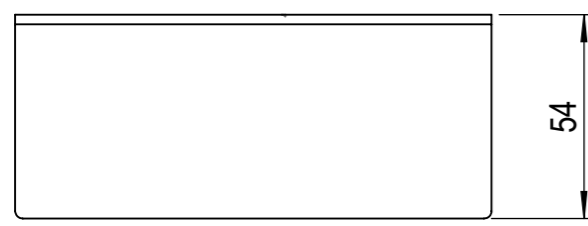
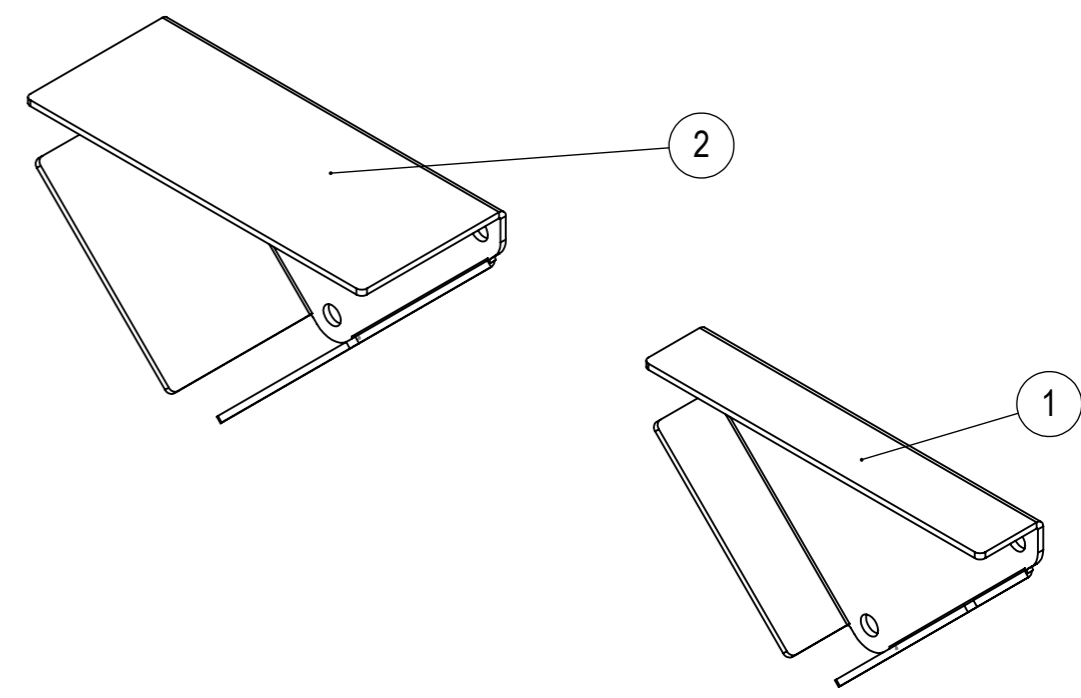
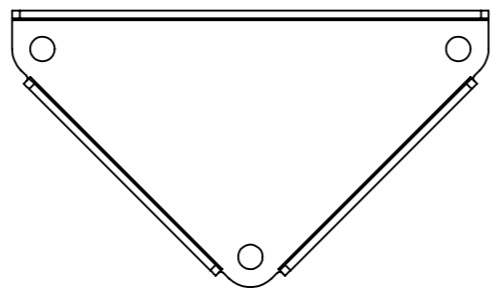
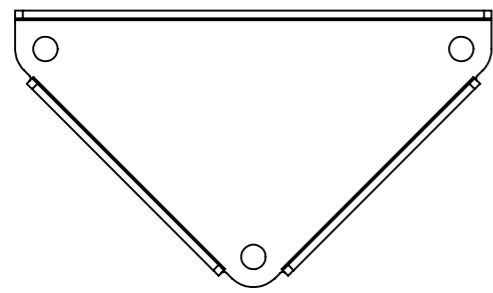
Item	Qty.	Part No.	Description	Note
1	1	43700200	Nipple	
2	1	53030600	Inner Cable	
Material			Description	
Geometric Tolerance		Sheet 1/1	Mass in Gram 0.01	Dim.in mm
			Date 2018-11-30	Proj
			Part Number A5300007	Revision
		Drawn by JT	Designed by JT	Scale 1:2

Rev.	Note	Date	Rev. By	Appr. By
A	New Document	2018-12-04	JT	JT

Approved

Model: A5900020 Rev. A

Tractive AB
Gjutargatan 54 S-781 70 Borlänge
Tel: +46 243 22 11 55 www.tractive.se



This drawing is the property of Tractive AB. Its submission does not include or carry the right to make, use or sell what is illustrated without the written consent of Tractive AB.

Item	Qty.	Part No.	Description	Note
1	1	59390800	Weld plate	Gear lever 24mm
2	1	59390900	Weld plate	Gear lever 54mm
Material		Description Weld plate options		
Geometric Tolerance		Sheet 1/1	Mass in Gram 489	Dim.in mm Note Gear lever
TRACTIVE		Date 2018-12-04	Proj	Part Number A5900020
		Drawn by JT	Designed by JT	
				Revision A